

SVH0.S08 Valve Series

SAE Cartridge - 250 bar

NC Single Lock Pilot Operated - Poppet Type

Description

Solenoid operated, 2-way 2-positions, normally closed, piloted poppet type, screw-in cartridge valve.

Typically used as a blocking or load holding device for high pressure circuits. When the coil is de-energized, the SVH0.S08 acts as check valve allowing free flow from 1 to 2, while blocking from 2 to 1.

When the coil is energized the poppet lifts and opens both the 2 to 1 and the 1 to 2 flow paths.

The rigid design using a 1-piece body contributes to minimize the effect of eccentricities in cavity and provides great reliability.

Low pressure drop thanks to optimized flow path.

Technical Features

All external surfaces are zinc plated and corrosion-proof.

All valve parts are made of high strength steel. Poppet is hardened and ground to ensure minimal wear and extended service life.

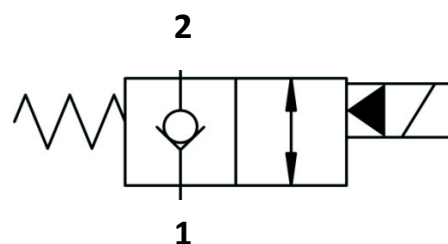
Coil seals protect the solenoid system.

Manual override option.

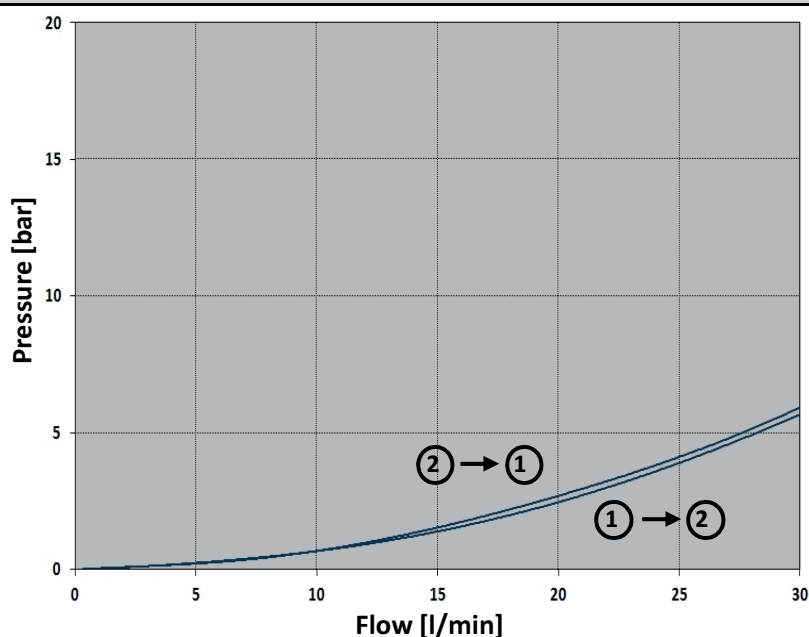
Industry common cavity.



Symbols



Performance Details



Technical Data

Maximum operating pressure: 250 bar

Maximum flow: 30 l/min

Internal leakage: max 5 drops/min @ 250 bar

Response time: Energized 30 msec,

De-energized 50 msec (typical 24V DC coil)

Temperature: -30°C to 110°C

Fluids: Mineral-based or synthetics with lubricating properties at viscosities of 7.4 to 420 cSt

Minimum pull-in voltage: 85% of nominal

Orientation: no restrictions

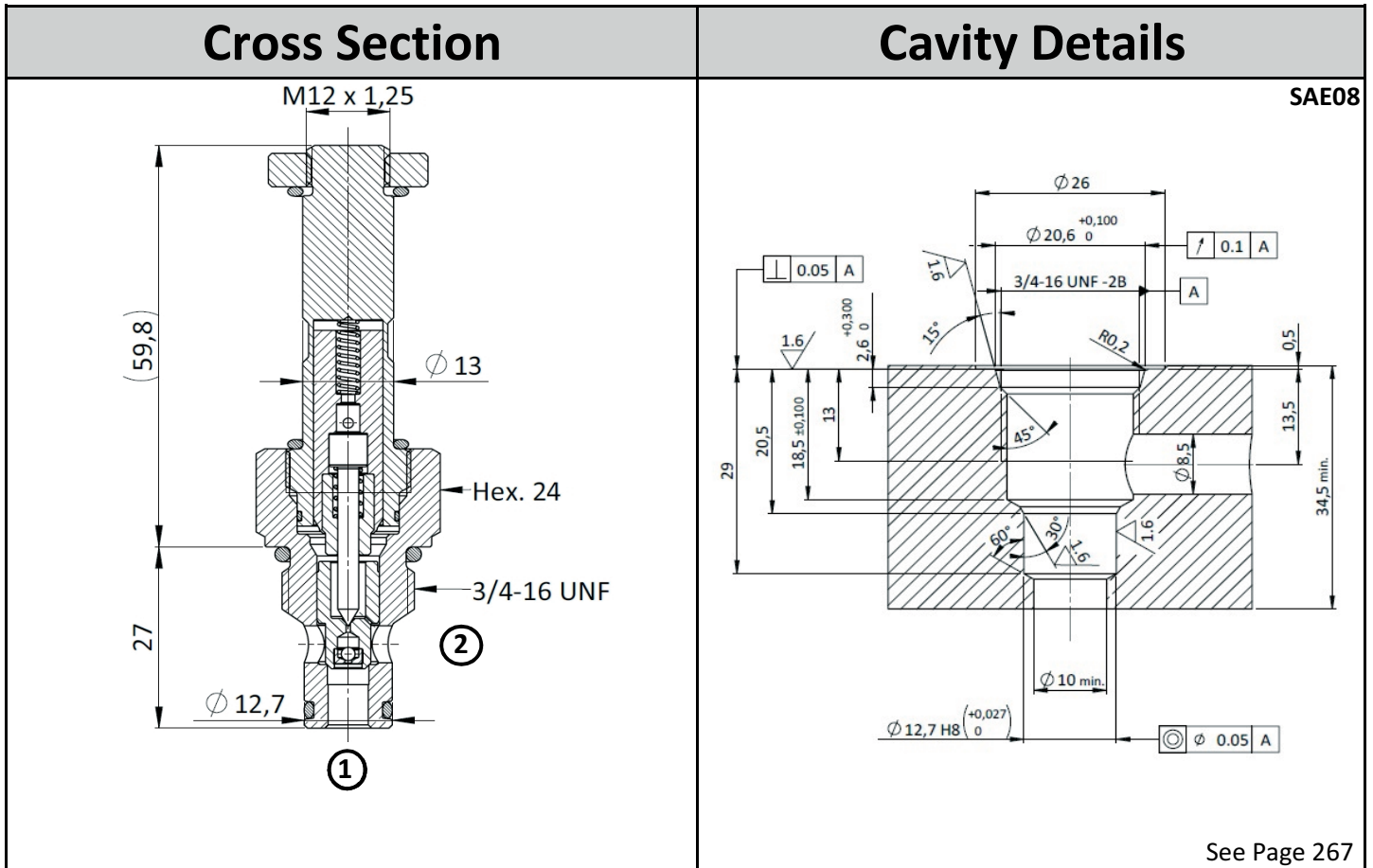
Installation torque: 40-45 Nm

Seal kit code: SK.030 and SK.027 (coil)

Weight: 0.120 kg


NOTE: The performance chart illustrates flow handling capacity in both directions (1 to 2 and 2 to 1, both energized).

P/Q curves are recorded at $T_{oil} = 40^\circ\text{C}$ and 46 cSt



Ordering Code

S	V	H	0	.	S	0	8	.	0	*	.	*	0	0					
↓ Valve Basic Code				↓ Cavity S08 = UNF - SAE08 Metric cavity available upon request				↓ Marking 0 = Standard factory marking Customized markings can be done upon request		↓ Filtration (see table below for available options)					↓ Manual override (see table below for available options and page 258 for more details)				

Manual Override		Filtration		Coil
Model Code	Type of override	Model Code	Type of Filter	 <p style="text-align: center;">Use 18W coil to operate this valve. For more details see page 259.</p>
0	No override	N	No filter	
1	Screw	F	Standard filter (mesh size 280µm)	
2	Push & Twist	Customized filters can be done upon request		
6	Pull & Hold			

Specifications may change without notice.