

## SVF0.S08 Valve Series

**SAE Cartridge - 250 bar**

**Directional Valve - 2/2 Spool type**

### Description

A Solenoid operated, 2 way 2 positions, spool type, direct acting, screw-in hydraulic directional cartridge valve.

In the de-energized mode, the SVF0.S08 blocks flow bidirectionally. In the energized mode, bidirectional flow is allowed between ports 1 and 2.

The rigid design using a 1-piece body contributes to minimize the effect of eccentricities in cavity and provides great reliability.

Low pressure drop thanks to optimized flow path.

### Technical Features

All external surfaces are zinc plated and corrosion-proof.

All valve parts are made of high strength steel. Spool and cage are hardened and super-finished to ensure minimal wear and extended service life.

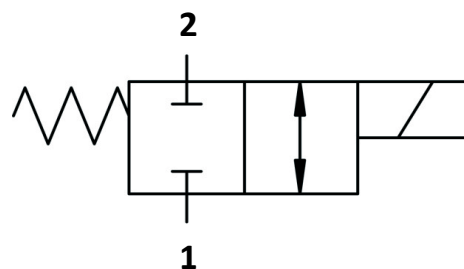
Coil seals protect the solenoid system.

Manual override option.

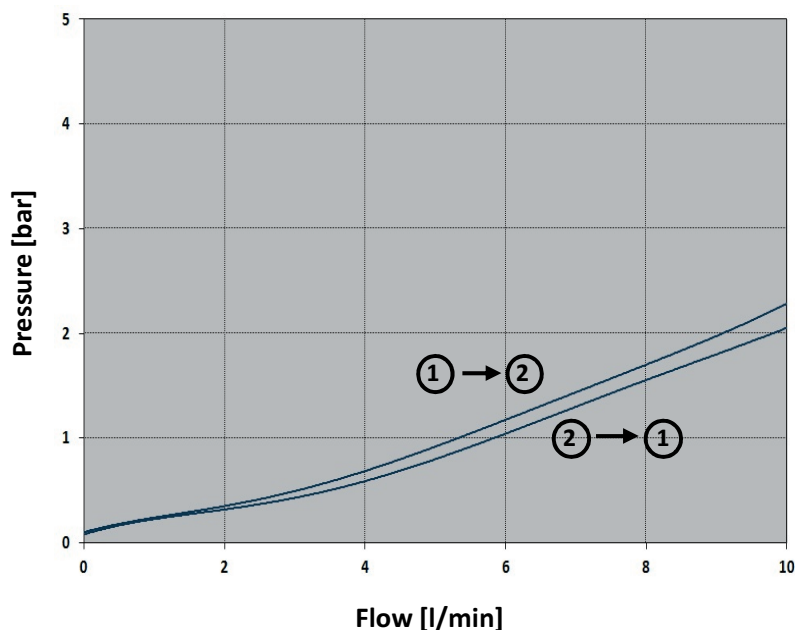
Industry SAE common cavity.



## Symbols



## Performance Details



### Technical Data

Maximum operating pressure: 250 bar

Maximum flow: 10 l/min

Internal leakage: max 80 cc/min @ 250 bar

Temperature: -30°C to 110°C

Fluids: Mineral-based or synthetics with lubricating properties at viscosities of 7.4 to 420 cSt

Minimum pull-in voltage: 85% of nominal

Orientation: no restrictions

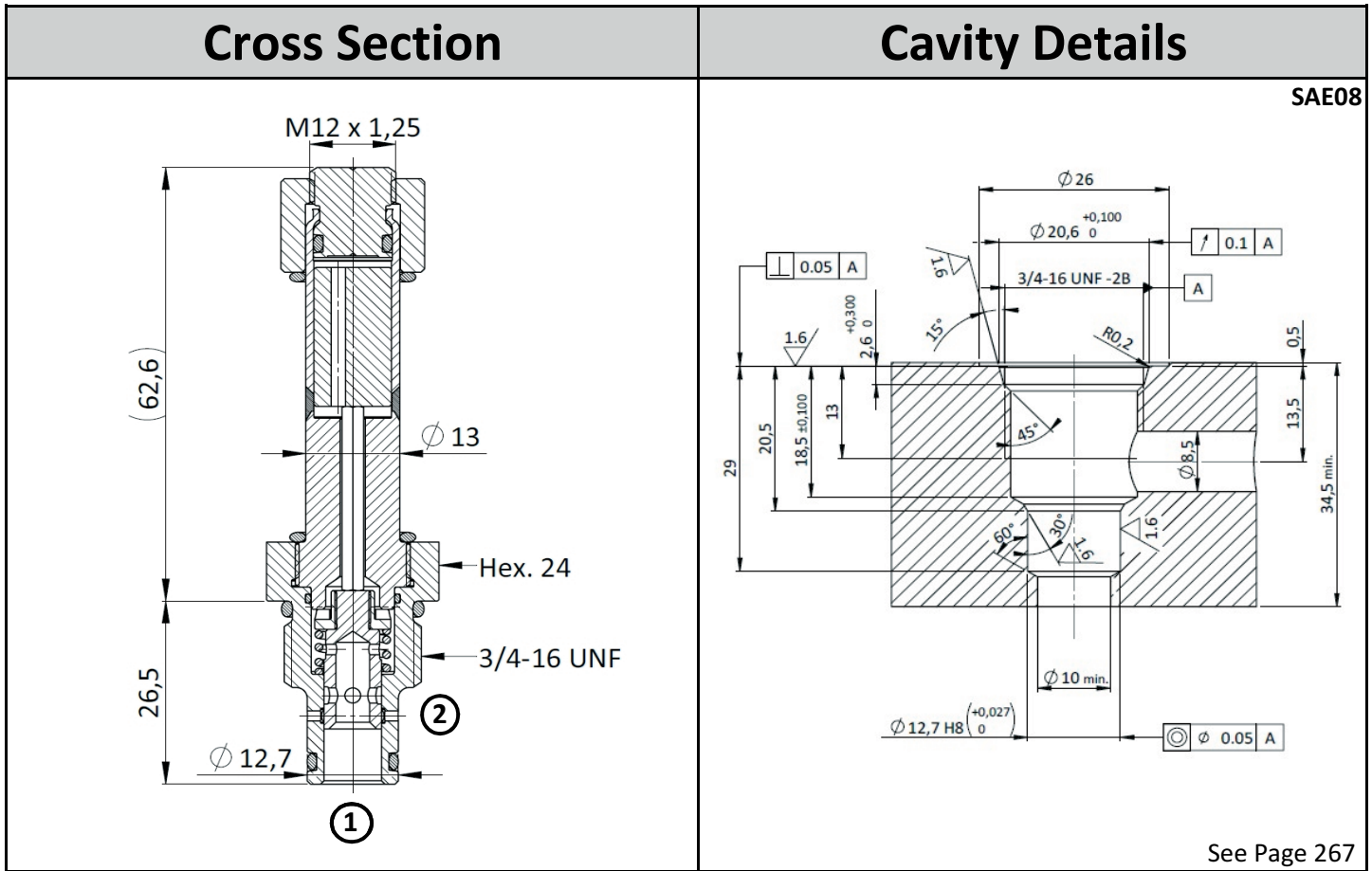
Installation torque: 40-45 Nm

Seal kit code: SK.003 and SK.027 (coil)

Weight: 0.125 kg

NOTE: The performance chart illustrates flow handling capacity 1 to 2 and 1 to 2 (both energized).

P/Q curves are recorded at  $T_{oil} = 40^\circ\text{C}$  and 46 cSt



## Ordering Code

S	V	F	0	.	S	0	8	.	0	*	.	1	0	0
↓				↓				↓		↓		↓		
<b>Valve Basic Code</b>				<b>Cavity</b>				<b>Manual override</b>		<b>Flow path</b>		<b>Marking</b>		
				S08 = UNF - SAE08 Metric cavity available upon request				0 = Standard factory marking Customized markings can be done upon request		1 and 2 both blocked (de-energized) 1 and 2 connected (energized)		(see table below for available options and page 257 for more details)		

Manual Override		Coil
Model Code	Type of override	<p style="font-size: small; margin-top: 10px;">Use <b>18W</b> coil to operate this valve. For more details see page 259.</p>
<b>0</b>	No override	
<b>3</b>	Push pin	
<b>4</b>	Push knob	
<b>5</b>	Screw	

Specifications may change without notice.