

SVE0.S08 Valve Series

SAE Cartridge - 250 bar

NO Double Lock Direct Acting - Poppet Type

Description

Solenoid operated, 2-way 2-positions, normally open, direct acting poppet type, bi-directional blocking, screw-in cartridge valve.

Special design for low leakage in load holding applications.

When the coil is de-energized, the SVE0.S08 allows flow in both directions. Once the coil is energized, the valve closes blocking flow from 1 to 2 and from 2 to 1.

The rigid design using a 1-piece body contributes to minimize the effect of eccentricities in cavity and provides great reliability.

Low pressure drop thanks to optimized flow path.

Technical Features

All external surfaces are zinc plated and corrosion-proof.

All valve parts are made of high strength steel. Poppet is hardened and ground to ensure minimal wear and extended service life.

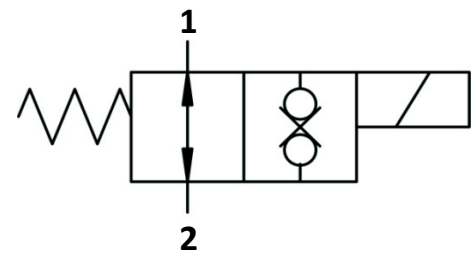
Coil seals protect the solenoid system.

Manual override option.

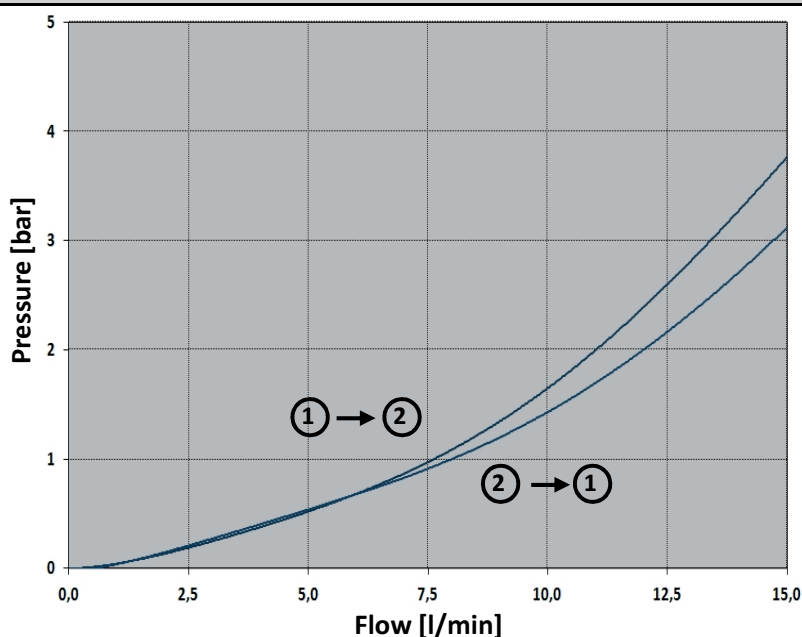
Industry common cavity.



Symbols



Performance Details



Technical Data

Maximum operating pressure: 250 bar

Maximum flow: 15 l/min

Internal leakage: max 5 drops/min @ 250 bar

Response time: Energized 35 msec,

De-energized 80 msec (typical 24V DC coil)

Temperature: -30°C to 110°C

Fluids: Mineral-based or synthetics with lubricating properties at viscosities of 7.4 to 420 cSt

Minimum pull-in voltage: 85% of nominal

Orientation: no restrictions

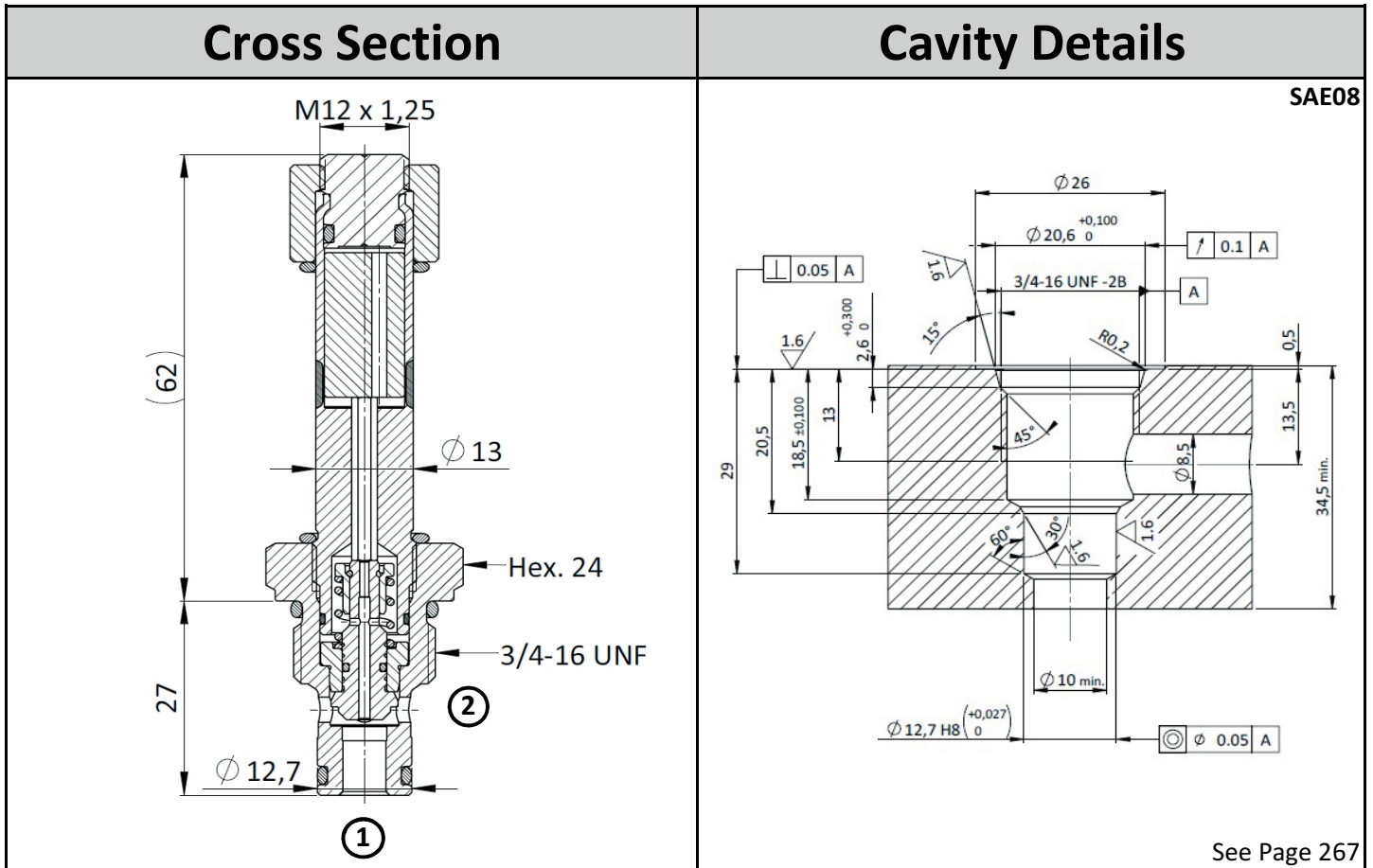
Installation torque: 40-45 Nm

Seal kit code: SK.003 and SK.027 (coil)

Weight: 0.125 kg

NOTE: The performance chart illustrates flow handling capacity in both directions (1 to 2 and 2 to 1).

P/Q curves are recorded at $T_{oil} = 40^{\circ}C$ and 46 cSt



Ordering Code

S	V	E	0	.	S	0	8	.	0	*	.	*	0	0	
↓								↓		↓					
Valve Basic Code								Cavity		Filtration		Manual override			
				S08 = UNF - SAE08 Metric cavity available upon request				(see table below for available options)		(see table below for available options and page 257 for more details)			0 = Standard factory marking Customized markings can be done upon request		

Manual Override		Filtration		Coil
Model Code	Type of override	Model Code	Type of Filter	
0	No override	N	No filter	
3	Push pin	F	Standard filter (mesh size 280µm)	
4	Push knob	Customized filters can be done upon request		
5	Screw			
Use 22W coil to operate this valve. For more details see page 263.				

Specifications may change without notice.