

SQA0.G38 Valve Series

GAS Cartridge - 420 bar

Direct acting with anti-cavitation - Poppet Type

Description

Direct acting in-line sequence valve with steel housing.
The SQA combines in one easy-to-install in line valve the typical function of shock relief and anticavitation through the check valve. In the pressure relief function it provides very low pressure rise thanks to the smart deflector design.

When the pressure at the high pressure inlet (1) reaches the valve setting, the valve starts to open to tank (2).

In the free reverse flow function a very light bias spring allows for ease of flow passage from nose to side (2 to 1).

High precision machining guarantees quick response to load changes, limited hysteresis and reduced leakage.

Technical Features

All external surfaces are zinc plated and corrosion-proof.

All valve parts are made of high strength steel.

Highly stressed parts are hardened and ground to guarantee minimal wear and to extend service life.

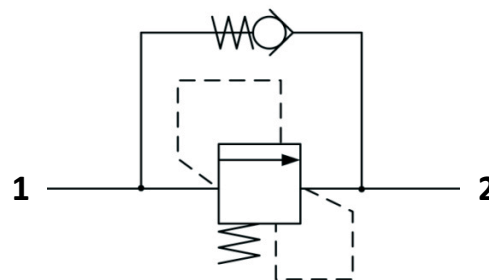
Pressure setting is pre-adjusted by the factory and cannot be changed
Optional spring ranges to 420 bar (6000 psi)

Back pressure on the tank port (port 2) is directly additive to the valve setting at a 1:1 ratio.

GAS ports

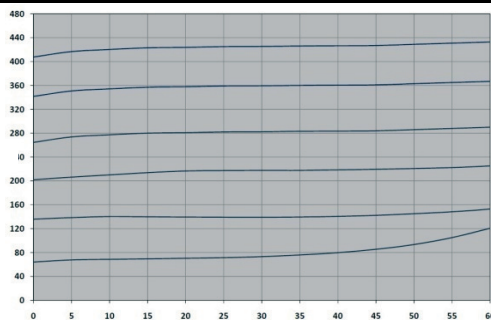


Symbols

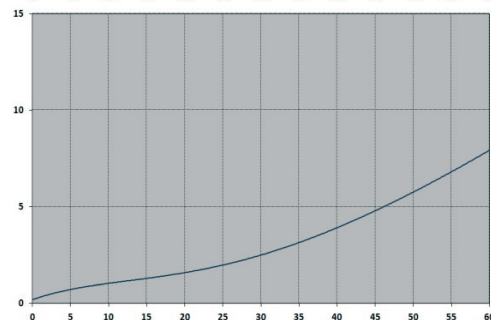


Performance Details

**Pressure Relief function
(1 to 2)**



**Anti-cavitation function
(2 to 1)**



Technical Data

Maximum operating pressure: 420 bar

Maximum flow: 60 l/min

Maximum leakage: 1.00 cc/min to 80% of nominal set point

Factory pressure settings established @10 l/min

Reseat pressure: nominal 90% of crack pressure

Anti-cav cracking pressure: <0.5 bar

Temperature: -30°C to 110°C

Fluids: Mineral-based or synthetics with lubricating properties at viscosities of 7.4 to 420 cSt

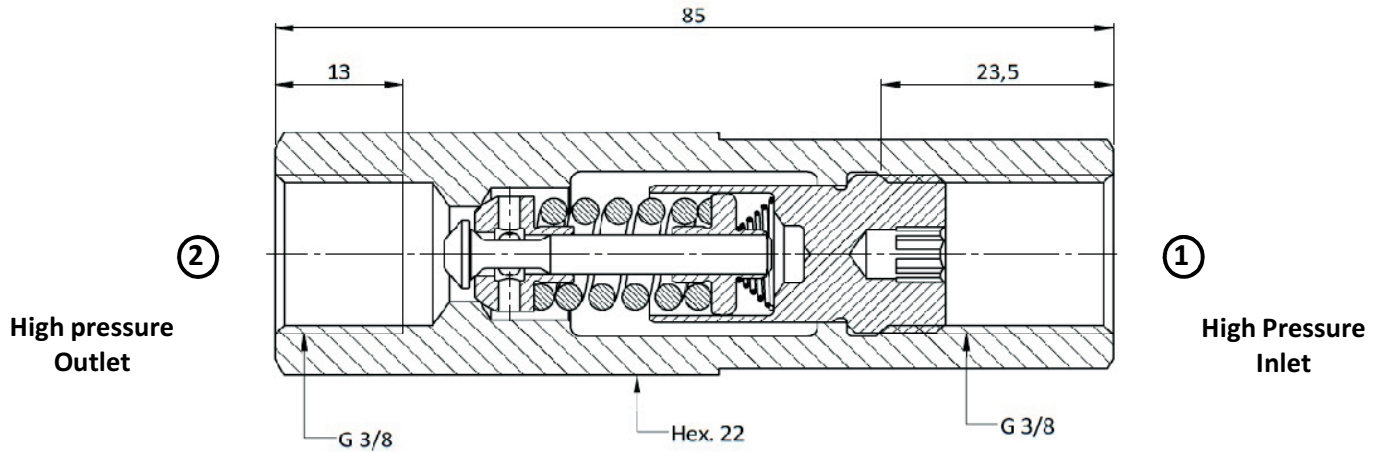
Orientation: no restrictions

Weight: 0.187 kg

NOTE: The performance chart illustrates flow handling capacity at maximum setting for each spring range option.

P/Q curves are recorded at $T_{oil} = 40^\circ\text{C}$ and 46 cSt

Cross Section



Ordering Code

S
Q
A
0
.
G
3
8
.
0
*
.
*
*
*

Valve Basic Code

Ports

G38 = GAS G3/8

Equivalent UNF or Metric ports available upon request

Pressure setting in [bar]

Note: Standard settings are multiple of 5 bars

Spring Range (see table below for available options)

Marking

0 = Standard factory marking

Customized markings can be done upon request

Spring Ranges

Spring Model Code	Pressure Setting Range [bar]	Spring Model Code	Pressure Setting Range [bar]
N	20-70	V	211-280
B	71-130	W	281-350
G	131-210	R	351-420