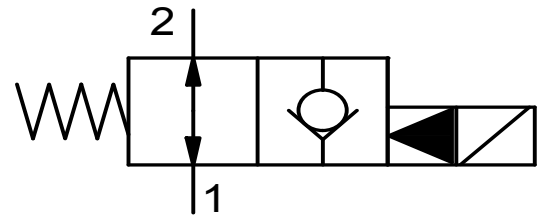
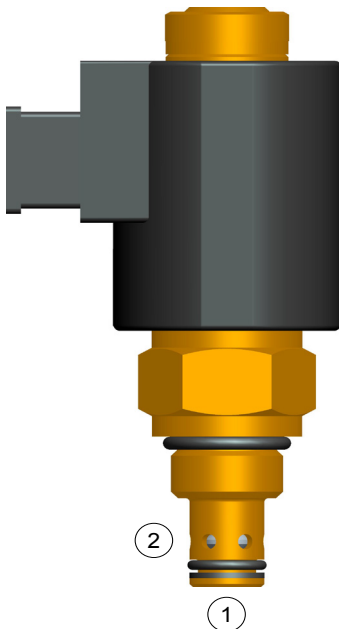


Solenoid valve  
Pilot operated, Poppet Type  
(2/2)



- $Q_{(max)}=40 \text{ lpm}$  ,  $P_{(max)}=350 \text{ bar}$
- Screw -in Cartridge,
- Poppet Type, Solenoid Valve



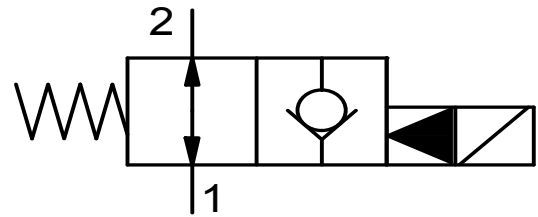
- When coil is de-energized flow occurs from 2 to 1, and free reverse flow from port 1 to 2.
- When coil is energized flow is blocked from 2 to 1, while reverse flow from port 1 to 2 occurs at high pressure drop.
- Hardened spool & sleeve provides longer life.
- Continuous - duty, very low heat rise & waterproof solenoid coil
- Can be fitted in line mounting bodies.
- All external parts are **zinc plated ,chromated (CrVI-Free)**.
- Designed in accordance to **Industry common Cavities**.

**1. Description -**

This cartridge normally open, 2 position, Solenoid operated, directional control valve. When coil is de-energized flow occur from 2 to 1, and free reverse from port 1 to 2. When coil is energized flow occurs is blocked from 2 to 1, while reverse from port 1 to 2 occurs at high pressure drop. Hardened spool & waterproof solenoid provides reliable and long life.

All external parts of this cartridge are Zinc-plated and chromated (CrVI-free). All Valve parts are made up of high strength steel. All cartridge valve are 100% tested. This cartridge valve is designed in accordance to Industry common cavities.

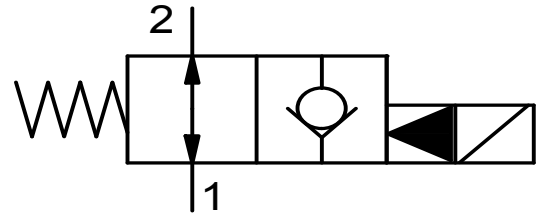
Solenoid valve  
Pilot operated, Poppet Type  
(2/2)



## 2. Technical Data :

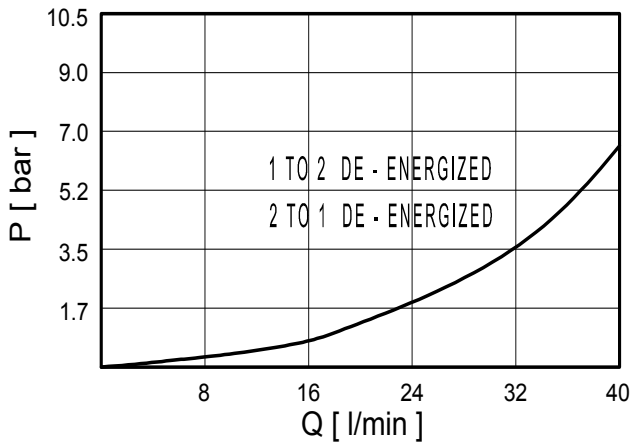
S.no.	General Specification	Values
1.	DESIGNATION	2 WAY 2 POSITION, SOLENOID VALVE
2.	MOUNTING METHOD	S08-2 CAVITY
3.	MAXIMUM OPERATING PRESSURE	350 BAR
4.	MAXIMUM FLOW	40 LPM
6.	OPERATING TEMPERATURE	-30° TO +110° C
7.	HYDRAULIC FLUID	MINERAL OILS WITH LUBRICATING PROPERTIES AT 15.....250 MM <sup>2</sup> /SEC
8.	MINIMUM FLUID CLEANINESS	ISO CLASS 20/18/15
9.	WEIGHT	0.40 KG
10.	INSTALLATION TORQUE	45-55 N/M
11.	SOLENOID COIL DETAIL	DC = 26WATT AC = 28-VA
12.	INSULATION CLASS	CLASS-H

Solenoid valve  
Pilot operated, Poppet Type  
(2/2)

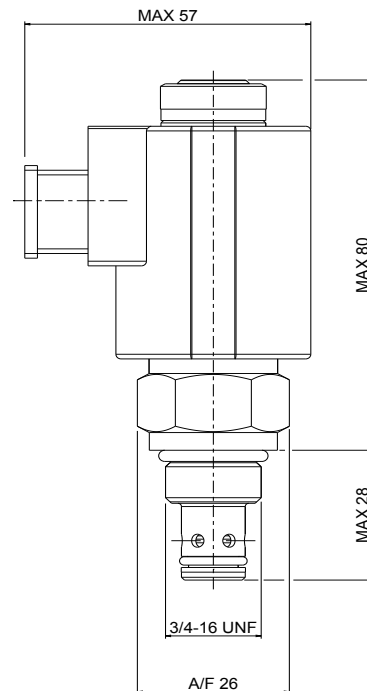


### 3. P-Q Characteristics :

**Note:** The Performance Chart shows Flow handling capacity at specific pressure setting P/Q Curve is recorded at Temp<sub>oil</sub> = 40° C at 46 cst.



### 4. Dimensioning :



### 5. Ordering Code :

**SOPV - 08 - O4 - X - X - XXX**

VALVE BASIC CODE

CAVITY TYPE = 3/4"-16 UNF

METRIC CAVITY AVAILABLE ON REQUEST

TYPE :

O4 = Normally Open Poppet  
2 Way , 2 Position

Terminals

D : Din-Type

HOUSING & PORTS

C : Cartridge only

XB1 : 1/4" BSP

XB6 : SAE #6

A : Aluminium Housing

S : Steel Housing

VOLTAGE

012 : 12 VDC

024 : 24 VDC

230 : 230 AC