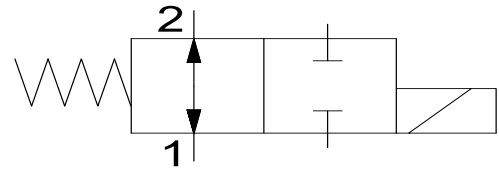
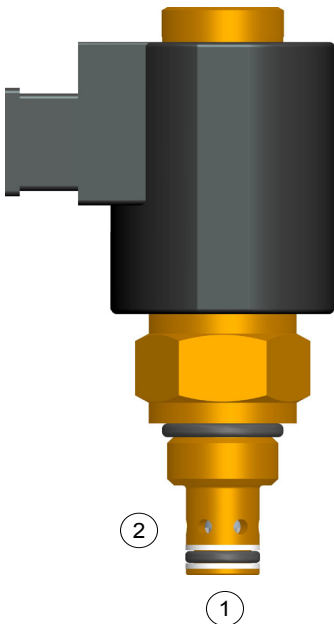


Solenoid valve
Direct Acting, Spool Type
(2/2)



- $Q_{(max)}=20 \text{ lpm}$, $P_{(max)}=350 \text{ bar}$
- Screw -in Cartridge,
- Spool Type, Solenoid Valve



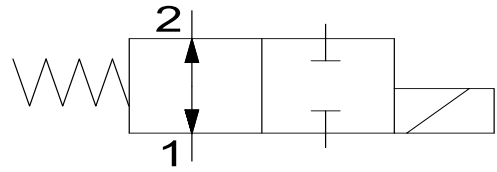
- When coil is de-energized flow occurs from 1 to 2 .
- When coil is energized no flow occurs from 1 to 2.
- Hardened spool & sleeve provides longer life .
- Can be fitted in **line mounting bodies**.
- Continuous duty,very-low heat rise & waterproof solenoid coil.
- All external parts are **zinc plated ,chromated (CrVI-Free)**.
- Designed in accordance to **Industry common Cavities**.

1. Description -

This Cartridge is a **2-way,2 position spool type,solenoid operated**, direct acting,directional control valve.when coil is de-energized it allows flow from 1 to 2. when coil is energized no flow occurs from 1 to 2 . Hardened spool and waterproof solenoid provides reliable and long life.

All external parts of this cartridge are Zinc-plated and chromated (CrVI-free).All Valve parts are made up of high strength steel. All cartridge valves are 100% tested. This cartridge valve is designed in accordance to industry common cavities.

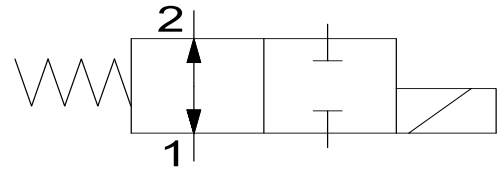
Solenoid valve
Direct Acting, Spool Type
(2/2)



2. Technical Data :

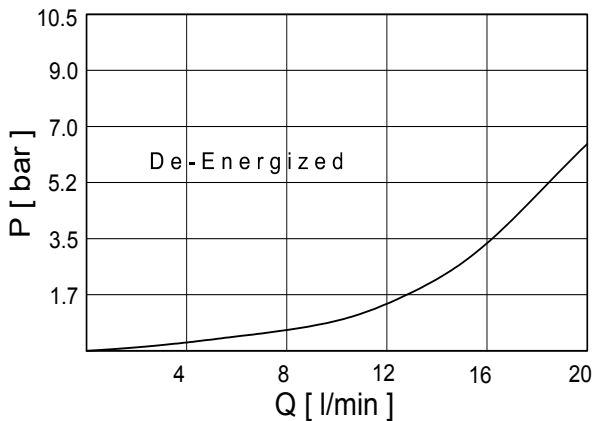
| S.no. | General Specification | Values |
|-------|----------------------------|---|
| 1. | DESIGNATION | 2-WAY,2-POSITION,SOLENOID VALVE |
| 2. | MOUNTING METHOD | S08-2 CAVITY |
| 3. | MAXIMUM OPERATING PRESSURE | 350 BAR |
| 4. | MAXIMUM FLOW | 20 LPM |
| 6. | OPERATING TEMPERATURE | -30° TO +110° C |
| 7. | HYDRAULIC FLUID | MINERAL OILS WITH LUBRICATING PROPERTIES AT 15.....250 MM ² /SEC |
| 8. | MINIMUM FLUID CLEANINESS | ISO CLASS 20/18/15 |
| 9. | WEIGHT | 0.37 KG |
| 10. | INSTALLATION TORQUE | 45-55 N/M |
| 11. | SOLENOID COIL DETAIL | DC = 26WATT AC = 28-VA |
| 12. | INSULATION CLASS | CLASS-H |

Solenoid valve
Direct Acting, Spool Type
(2/2)

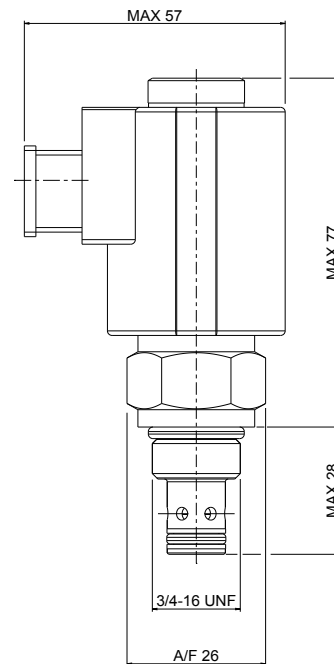


3. P-Q Characteristics :

Note: The Performance Chart shows Flow handling capacity at specific pressure setting P/Q Curve is recorded at Temp_{oil} = 40° C at 46 cst.



4. Dimensioning :



5. Ordering Code :

SOPV - 08 - O2 - X - X - XXX

VALVE BASIC CODE

CAVITY TYPE = 3/4"-16 UNF
METRIC CAVITY AVAILABLE ON
REQUEST

TYPE :

O2 = Normally open spool
2 Way , 2 Position

Terminals

D : Din-Type

VOLTAGE

012 : 12 VDC

024 : 24 VDC

230 : 230 AC

HOUSING & PORTS

C : Cartridge only

XB1 : 1/4" BSP

XB6 : SAE #6

A : Aluminium Housing

S : Steel Housing