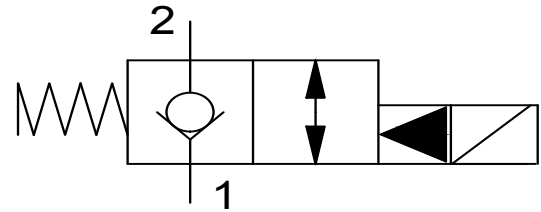
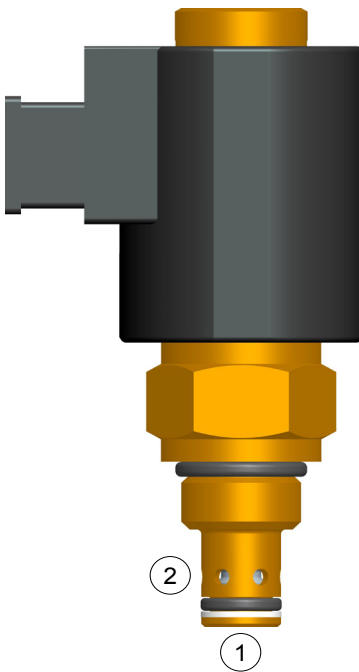


Solenoid valve
Pilot operated, Poppet Type
(2/2)



- $Q_{(max)}=40 \text{ lpm}$, $P_{(max)}=350 \text{ bar}$
- Screw -in Cartridge,
- Poppet Type, Solenoid Valve



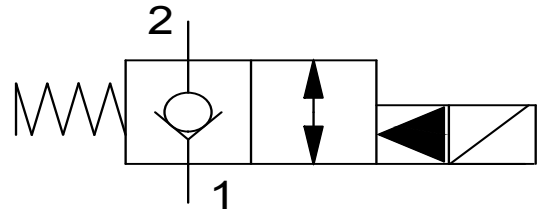
- When coil is de-energized this valve allow no flow from port 2 to 1, while free flow from port 1 to 2.
- When coil is energized then flow occurs from port 2 to 1, while free flow from port 1 to 2.
- Hardened poppet & sleeve provides longer life.
- Continuous-duty very low heat rise & waterproof solenoid coil
- Can be fitted in **line mounting bodies**.
- All external parts are **zinc plated ,chromated (CrVI-Free)**.
- Designed in accordance to **Industry common Cavities**.

1. Description -

This cartridge is normally closed, 2 way 2 position poppet type Solenoid operated directional control valve When coil is de-energized then it allow no flow from port 2 to 1, while free flow from port 1 to 2. When coil is energized flow occurs from port 2 to 1, while free flow from port 1 to 2. Hardened poppet & waterproof solenoid provides reliable and long life.

All external parts of this cartridge are Zinc-plated and chromated (CrVI-free). All Valve parts are made up of high strength steel. All cartridge valve 100% tested. This cartridge valves is designed in accordancess to industry common cavities.

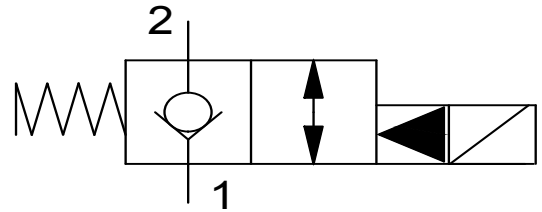
Solenoid valve
Pilot operated, Poppet Type
(2/2)



2. Technical Data :

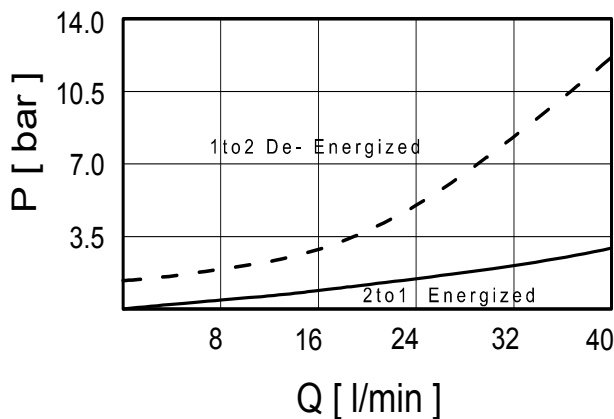
S.no.	General Specification	Values
1.	DESIGNATION	2 WAY, 2 POSITION SOLENOID VALVE
2.	MOUNTING METHOD	S08-2 CAVITY
3.	MAXIMUM OPERATING PRESSURE	350 BAR
4.	MAXIMUM FLOW	40 LPM
6.	OPERATING TEMPERATURE	-30° TO +110° C
7.	HYDRAULIC FLUID	MINERAL OILS WITH LUBRICATING PROPERTIES AT 15.....250 MM ² /SEC
8.	MINIMUM FLUID CLEANINESS	ISO CLASS 20/18/15
9.	WEIGHT	0.35 KG
10.	INSTALLATION TORQUE	45-55 N/M
11.	SOLENOID COIL DETAIL	DC = 26WATT AC = 28-VA
12.	INSULATION CLASS	CLASS-H

Solenoid valve
Pilot operated, Poppet Type
(2/2)

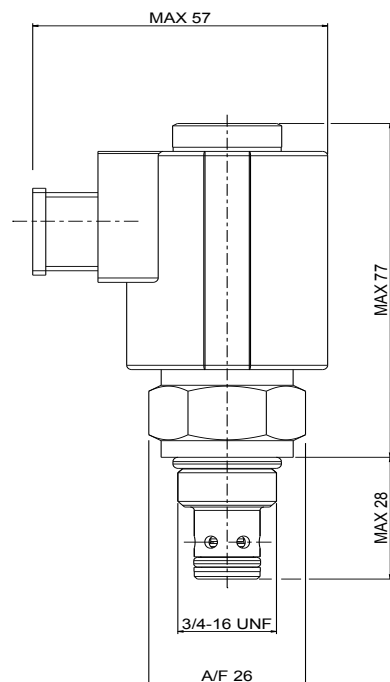


3. P-Q Characteristics :

Note: The Performance Chart shows Flow handling capacity at specific pressure setting P/Q Curve is recorded at Temp_{oil} = 40° C at 46 cst.



4. Dimensioning :



5. Ordering Code :

SOPV - 08 - C4 - X - X - XXX

VALVE BASIC CODE

CAVITY TYPE = 3/4"-16 UNF

METRIC CAVITY AVAILABLE ON REQUEST

TYPE :

C4 = Normally Closed Poppet
2 Way , 2 Position

Terminals

D : Din-Type

HOUSING & PORTS

C : Cartridge only

XB1 : 1/4" BSP

XB6 : SAE #6

A : Aluminium Housing

S : Steel Housing

VOLTAGE

012 : 12 VDC

024 : 24 VDC

230 : 230 AC