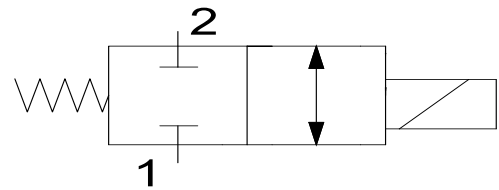
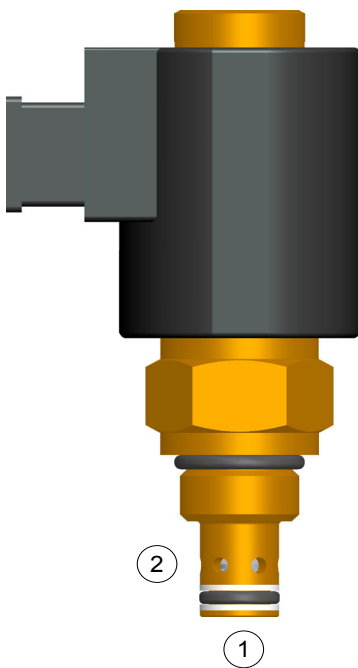


## Solenoid valve Direct Acting, Spool Type (2/2)



- $Q_{(max)}=20 \text{ lpm}$  ,  $P_{(max)}=350 \text{ bar}$
- Screw -in Cartridge,
- Spool Type, Solenoid Valve



- When coil is de-energized no flow occurs from 1 to 2, or 2 to 1 .
- When coil is energized flow occurs from 1 to 2, and 2 to 1.
- **Continuous duty**, Very low heat rise & waterproof solenoid coil.
- Hardened spool & sleeve provides longer life .
- Industry common cavities .
- Can be fitted in **line mounting bodies**.
- All external parts are **zinc plated ,chromated (CrVI-Free)**.
- Designed in accordance to **Industry common Cavities**.

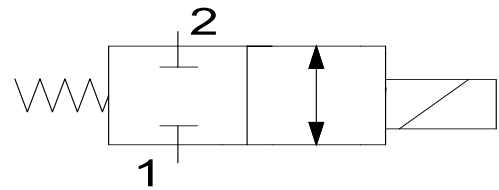
### 1. Description -

This Cartridge is a **2-way,2 position spool type,solenoid operated**, direct acting,directional control valve.when coil is de-energized then no flow from 1 to 2 and 2 to 1. when coil is energized flow occurs from 1 to 2, and 2 to 1 . Hardened spool and waterproof solenoid provides reliable and long life.

All external parts of this cartridge are Zinc-plated and chromated (CrVI-free).All Valve parts are made up of high strength steel.

All cartridge valves are 100% tested. This cartridge valve is designed in accordance to industry common cavities.

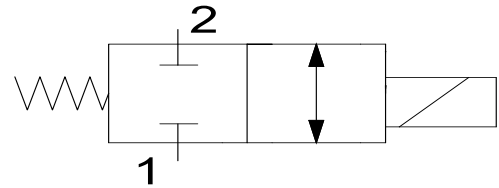
Solenoid valve  
Direct Acting, Spool Type  
(2/2)



## 2. Technical Data :

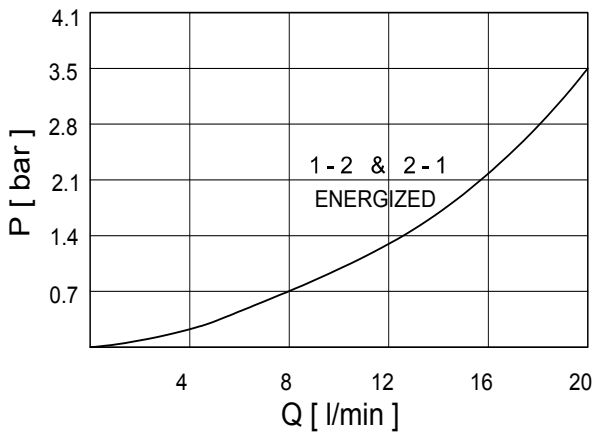
S.no.	General Specification	Values
1.	DESIGNATION	2-WAY,2-POSITION,SOLENOID VALVE
2.	MOUNTING METHOD	S08-2 CAVITY
3.	MAXIMUM OPERATING PRESSURE	350 BAR
4.	MAXIMUM FLOW	20 LPM
6.	OPERATING TEMPERATURE	-30° TO +110° C
7.	HYDRAULIC FLUID	MINERAL OILS WITH LUBRICATING PROPERTIES AT 15.....250 MM <sup>2</sup> /SEC
8.	MINIMUM FLUID CLEANINESS	ISO CLASS 20/18/15
9.	WEIGHT	0.37 KG
10.	INSTALLATION TORQUE	45-55 N/M
11.	SOLENOID COIL DETAIL	DC = 26WATT AC = 28-VA
12.	INSULATION CLASS	CLASS-H

Solenoid valve  
Direct Acting, Spool Type  
(2/2)

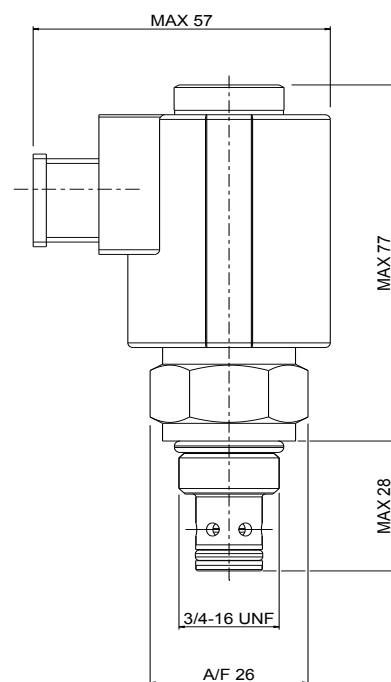


### 3. P-Q Characteristics :

**Note:** The Performance Chart shows Flow handling capacity at specific pressure setting P/Q Curve is recorded at Temp<sub>oil</sub> = 40° C at 46 cst.



### 4. Dimensioning :



### 5. Ordering Code :

**SOPV - 08 - C2 - X - X - XXX**

VALVE BASIC CODE

CAVITY TYPE = 3/4"-16 UNF  
METRIC CAVITY AVAILABLE ON  
REQUEST

TYPE :

C2 = Normally closed spool  
2 Way, 2 Position

Terminals

D : Din-Type

VOLTAGE

012 : 12 VDC  
024 : 24 VDC  
230 : 230 AC

HOUSING & PORTS

C : Cartridge only

XB1 : 1/4" BSP

XB6 : SAE #6

A : Aluminium Housing

S : Steel Housing