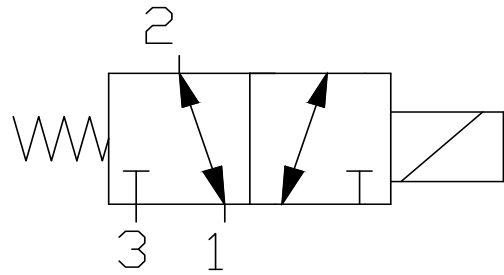
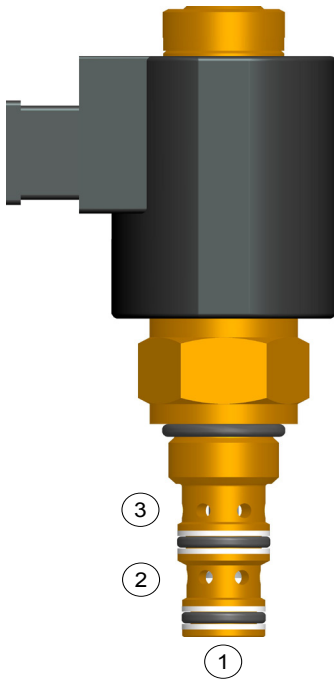


Solenoid valve Closed Center, Spool Type (3/2)



- $Q_{(max)}=20 \text{ lpm}$, $P_{(max)}=350 \text{ bar}$
- Screw -in Cartridge,
- Spool Type, Solenoid Valve



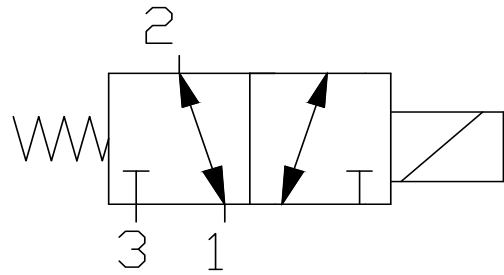
- When coil is de-energized flow occurs from 1 to 2, while 3 is blocked.
- When coil is energized flow occurs from 2 to 3, while 1 is blocked.
- Hardened spool & sleeve provides longer life .
- Very low heat rise & waterproof solenoid coil
- Can be fitted in **line mounting bodies**.
- All external parts are zinc plated ,chromated (CrVI-Free).
- Designed in accordance to **Industry common cavities**.

1. Description -

This cartridge is a 3 way, 2 position spool type solenoid operated, direct acting, directional control valve. when coil is de-energized flow occurs from 1 to 2, while 3 is blocked. when coil is energized flow occurs between 2 to 3, while 1 is blocked. Hardened spool and waterproof . solenoid provides reliable and long life.

All external parts of this cartridge are Zinc-plated and chromated (CrVI-free). All Valve parts are made up of high strength steel. All cartridge valves are 100% tested. This cartridge valve is designed in accordance to industry common cavities.

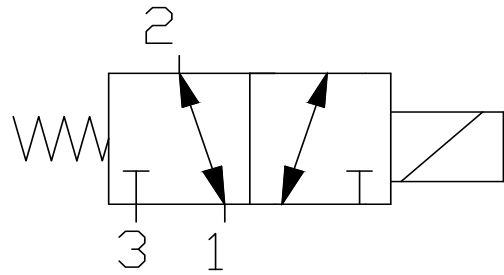
Solenoid valve
Closed Center, Spool Type
(3/2)



2. Technical Data :

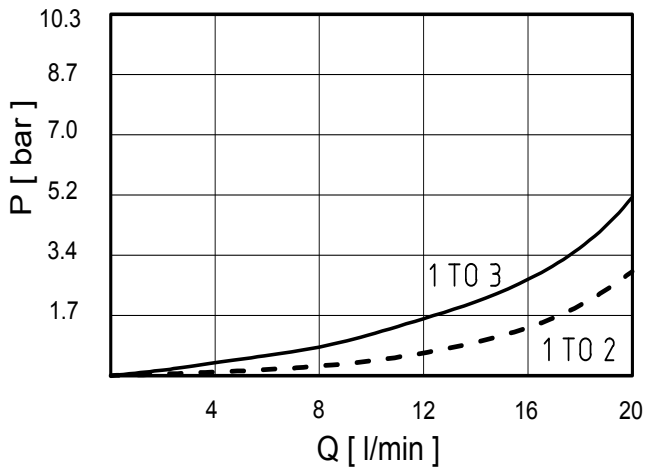
S.no.	General Specification	Values
1.	DESIGNATION	3 WAY, 2-POSITION, SOLENOID VALVE
2.	MOUNTING METHOD	S08-3 CAVITY
3.	MAXIMUM OPERATING PRESSURE	350 BAR
4.	MAXIMUM FLOW	20 LPM
6.	OPERATING TEMPERATURE	-30° TO +110° C
7.	HYDRAULIC FLUID	MINERAL OILS WITH LUBRICATING PROPERTIES AT 15.....250 MM ² /SEC
8.	MINIMUM FLUID CLEANINESS	ISO CLASS 20/18/15
9.	WEIGHT	0.45 KG
10.	INSTALLATION TORQUE	45-55 N/M
11.	SOLENOID COIL DETAIL	DC = 26WATT AC = 28-VA
12.	INSULATION CLASS	CLASS-H

Solenoid valve
Closed Center, Spool Type
(3/2)

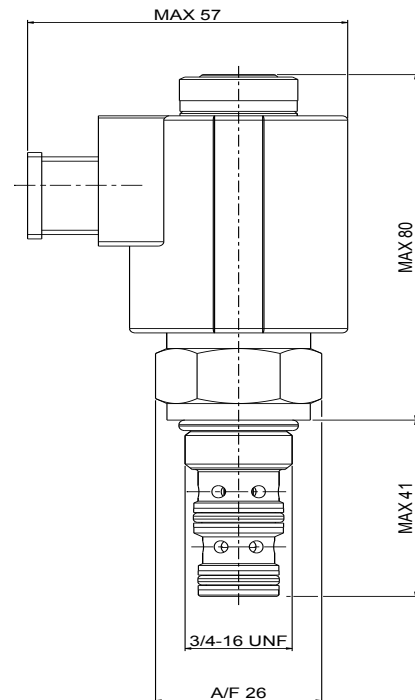


3. P-Q Characteristics :

Note: The Performance Chart shows Flow handling capacity at specific pressure setting P/Q Curve is recorded at Temp_{oil} = 40° C at 46 cst.



4. Dimensioning :



5. Ordering Code :

SOPV - 08 - 3E - X - X - XXX

VALVE BASIC CODE

CAVITY TYPE = 3/4" -16 UNF
METRIC CAVITY AVAILABLE ON
REQUEST

TYPE :
3E= "E" SPOOL
3 Way , 2 Position

Terminals
D : Din-Type

HOUSING & PORTS
C : Cartridge only
XB1 : 1/4" BSP
XB6 : SAE #6

A : Aluminium Housing
S : Steel Housing

VOLTAGE

012 : 12 VDC
024 : 24 VDC
230 : 230 AC