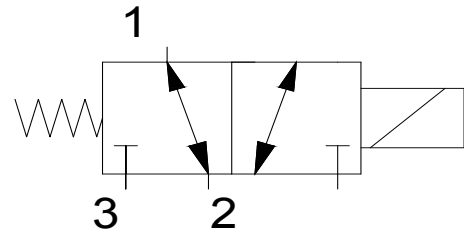
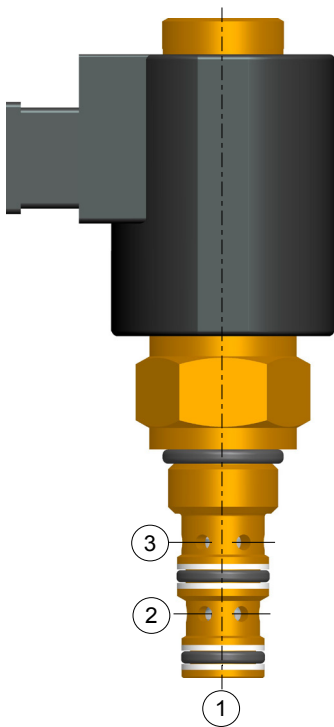


Solenoid valve Direct Acting, Spool Type (3/2)



- $Q_{(max)}=20 \text{ lpm}$, $P_{(max)}=350 \text{ bar}$
- Screw -in Cartridge,
- Spool Type, Solenoid Valve



- When coil is de-energized flow occurs from 1 to 2 , while 3 is blocked.
- When coil is energized flow occurs from 1 to 3 , while 2 is blocked.
- Hardened spool & sleeve provides longer life .
- Continuous-duty very low heat rise & waterproof solenoid coil.
- Can be fitted in line mounting bodies.
- All external parts are **zinc plated ,chromated (CrVI-Free)**.
- Designed in accordance to **Industry common Cavities**.

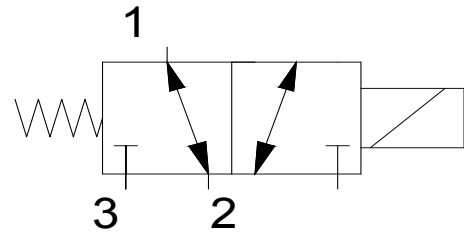
1. Description -

This Cartridge is a **3-way,2 position spool type,solenoid operated**, direct acting,directional control valve.when coil is de-energized it allows flow from 1 to 2 while blocking port 3. when energized flow occurs from 1 to 3 ,blocking 2. Hardened spool and waterproof solenoid provides reliable and long life.

All external parts of this cartridge are Zinc-plated and chromated (CrVI-free).All Valve parts are made up of high strength steel.

All cartridge valves are 100% tested. This cartridge valve is designed in accordance to industry common cavities.

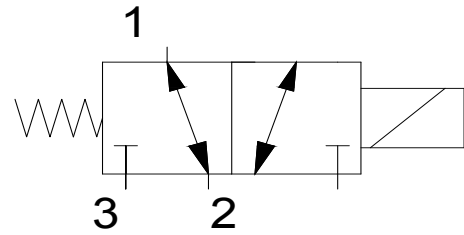
Solenoid valve
Direct Acting, Spool Type (3/2)



2. Technical Data :

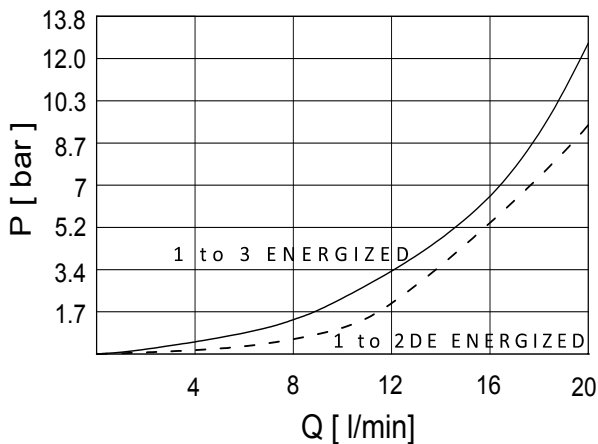
S.no.	General Specification	Values
1.	DESIGNATION	3-WAY,2-POSITION,SOLENOID VALVE
2.	MOUNTING METHOD	S08-3 CAVITY
3.	MAXIMUM OPERATING PRESSURE	350 BAR
4.	MAXIMUM FLOW	20 LPM
6.	OPERATING TEMPERATURE	-30° TO +110° C
7.	HYDRAULIC FLUID	MINERAL OILS WITH LUBRICATING PROPERTIES AT 15.....250 MM ² /SEC
8.	MINIMUM FLUID CLEANINESS	ISO CLASS 20/18/15
9.	WEIGHT	0.45 Kg
10.	INSTALLATION TORQUE	45-55 N/M
11.	SOLENOID COIL DETAIL	DC = 26WATT AC = 28-VA
12.	INSULATION CLASS	CLASS-H

Solenoid valve
Direct Acting, Spool Type (3/2)

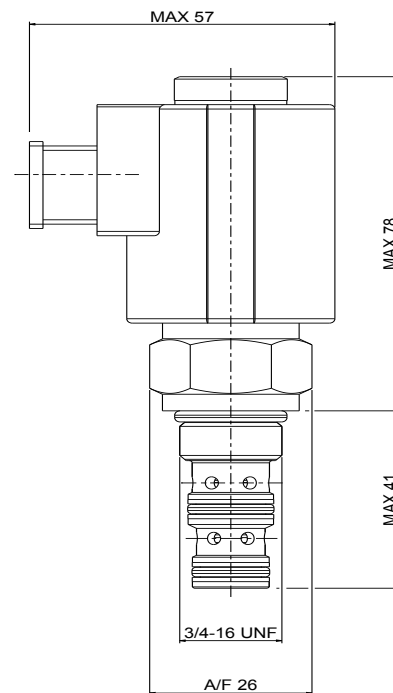


3. P-Q Characteristics :

Note: The Performance Chart shows Flow handling capacity at specific pressure setting P/Q Curve is recorded at Temp_{oil} = 40° C at 46 cst.



4. Dimensioning :



5. Ordering Code :

SOPV - 08 - 3D - X - X - XXX

VALVE BASIC CODE

CAVITY TYPE = 3/4"-16 UNF
METRIC CAVITY AVAILABLE ON
REQUEST

TYPE :
3D = "D" SPOOL
3 Way , 2 Position

Terminals
D : Din-Type

HOUSING & PORTS
C : Cartridge only
XB1 : 1/4" BSP
XB6 : SAE #6

A : Aluminium Housing
S : Steel Housing

VOLTAGE

012 : 12 VDC
024 : 24 VDC
230 : 230 AC