

## SHV0.G14 Valve Series

**GAS Cartridge - 350 bar**

**Direct acting - Ball Type**

### Description

Shut-off valves for hydraulics systems, with two inlets and one outlet. Ball seat construction, automatic switching. The inlet with the higher pressure (port 1 or 3) is directly connected to tank (port 2), while the second inlet (port 3 or 1) is shut off.

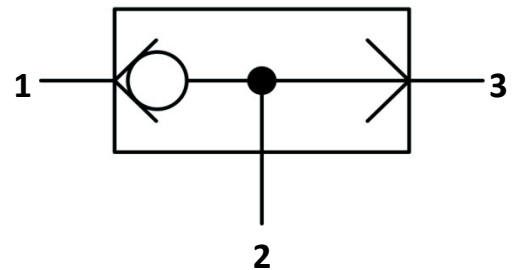
### Technical Features

All valve parts are made of high strength steel to guarantee minimal wear and to extend service life. The very compact size make it suitable for installation into hydraulic integrated circuits, control units, and various valve combinations.

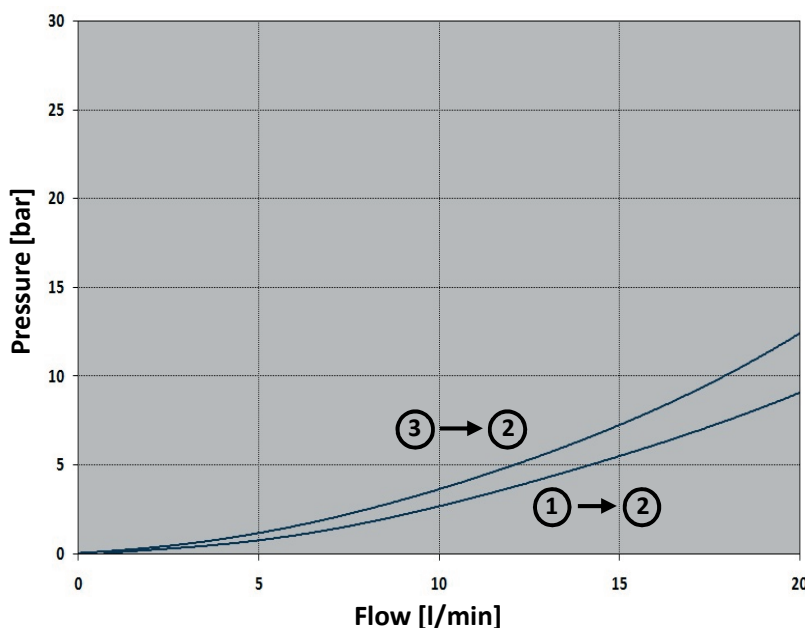


vis hydraulics

## Symbols



## Performance Details

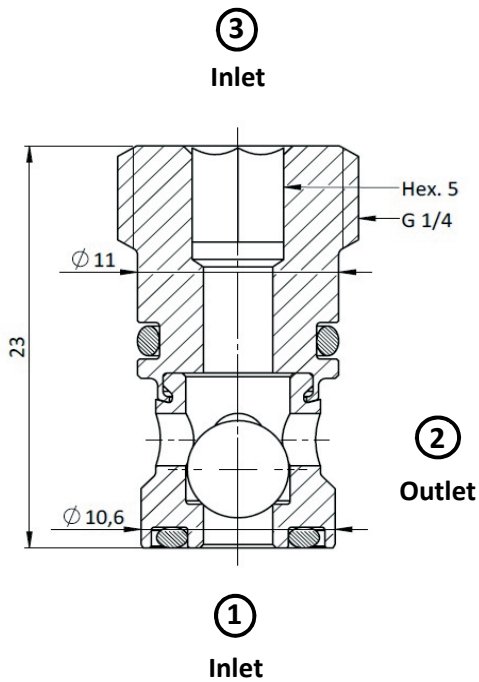


### Technical Data

Maximum operating pressure: 350 bar  
 Maximum flow: 20 l/min  
 Internal leakage: 0.25 cc/min max @ 350 bar  
 Temperature: -30°C to 110°C  
 Fluids: Mineral-based or synthetics with lubricating properties at viscosities of 7.4 to 420 cSt  
 Orientation: no restrictions  
 Installation torque: 15-18 Nm  
 Seal kit code: SK.024  
 Weight: 0.013 kg

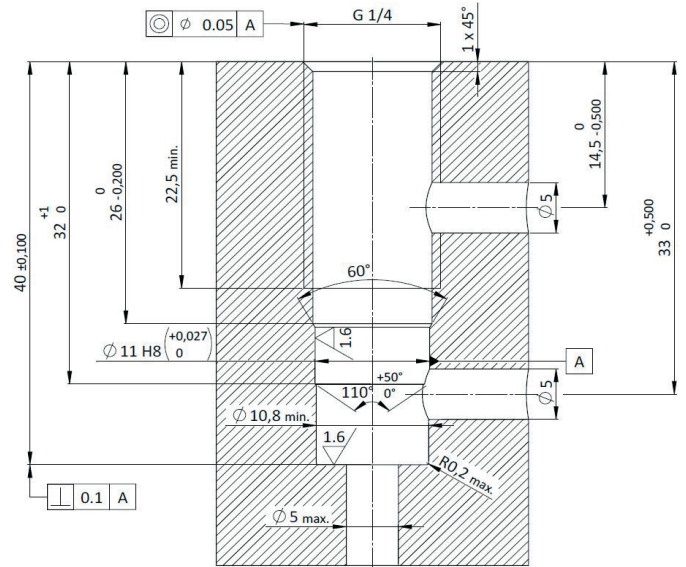
NOTE: The performance chart illustrates flow handling capacity in max flow condition. P/Q curves are recorded at  $T_{oil} = 40^{\circ}C$  and 46 cSt

## Cross Section



## Cavity Details

VH018



See Page 278

## Ordering Code

S H V 0 . G 1 4 . 0 0 . 0 0 0

Valve Basic Code

Cavity

G14 = GAS G1/4

UNF or Metric cavity

available upon request

000 = standard configuration