

## SHV0.G12 Valve Series

**GAS Cartridge - 350 bar**

**Direct acting - Ball Type**

### Description

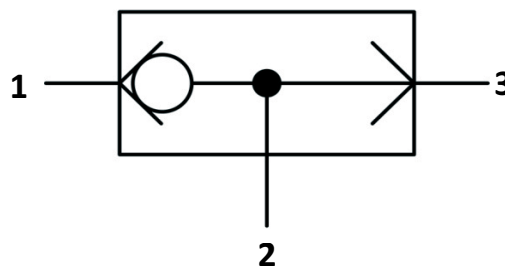
Shut-off valves for hydraulics systems, with two inlets and one outlet. Ball seat construction, automatic switching. The inlet with the higher pressure (port 1 or 3) is directly connected to tank (port 2), while the second inlet (port 3 or 1) is shut off.

### Technical Features

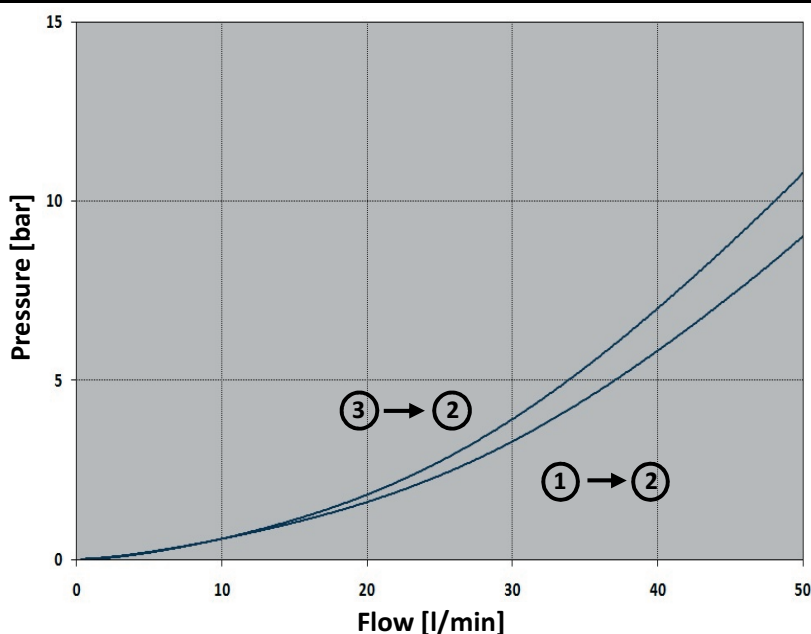
All valve parts are made of high strength steel to guarantee minimal wear and to extend service life. The very compact size make it suitable for installation into hydraulic integrated circuits, control units, and various valve combinations.



## Symbols



## Performance Details



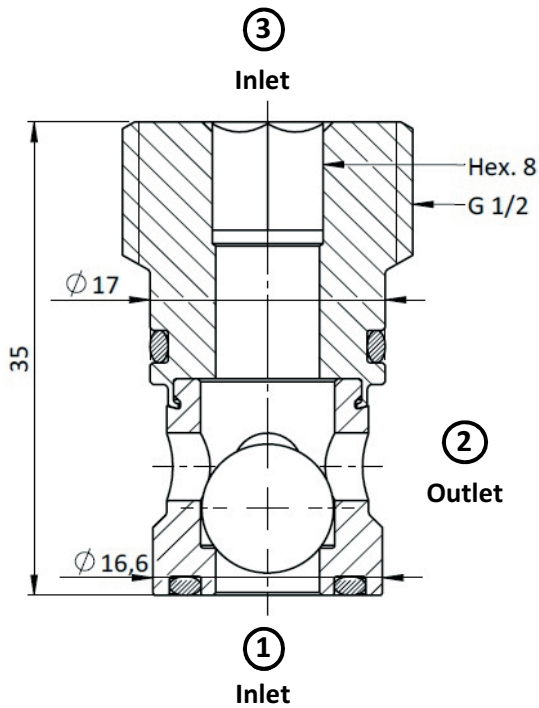
### Technical Data

Maximum operating pressure: 350 bar  
 Maximum flow: 50 l/min  
 Internal leakage: 0.25 cc/min max @ 350 bar  
 Temperature: -30°C to 110°C  
 Fluids: Mineral-based or synthetics with lubricating properties at viscosities of 7.4 to 420 cSt  
 Orientation: no restrictions  
 Installation torque: 20-22 Nm  
 Seal kit code: SK.026  
 Weight: 0.051 kg

NOTE: The performance chart illustrates flow handling capacity in max flow condition.

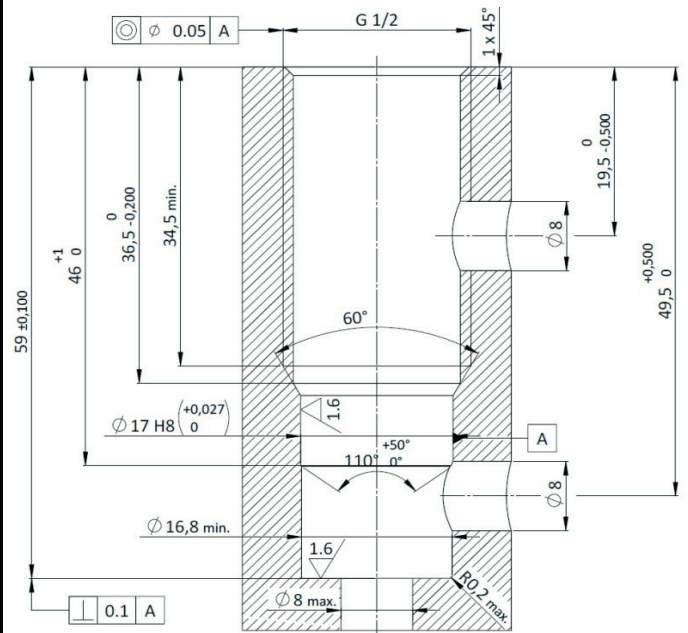
P/Q curves are recorded at  $T_{oil} = 40^{\circ}C$  and 46 cSt

## Cross Section



## Cavity Details

VH021



See Page 279

## Ordering Code

S H V 0 . G 1 2 . 0 0 . 0 0 0

↓  
Valve Basic Code

←  
**Cavity**  
G12 = GAS G1/2  
UNF or Metric cavity  
available upon request

↘ 000 = standard configuration