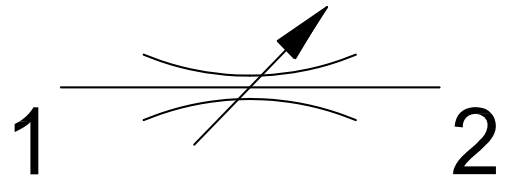
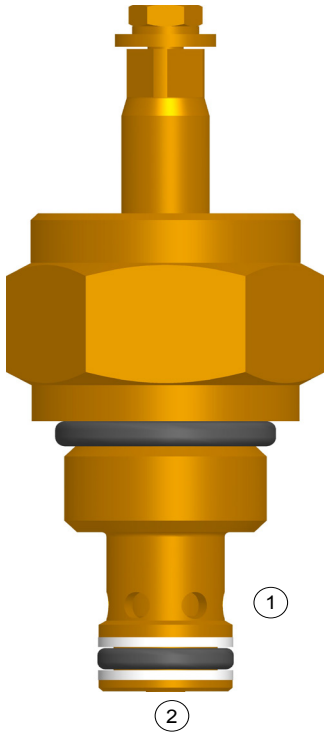


Flow Control Valve
Needle Type, Bi-Directional



- $Q_{(max)}=40 \text{ lpm}$, $P_{(max)}=350 \text{ bar}$
- Screw -in Cartridge,
- Bi-Directional ,Needle-Type, Flow Control Valve



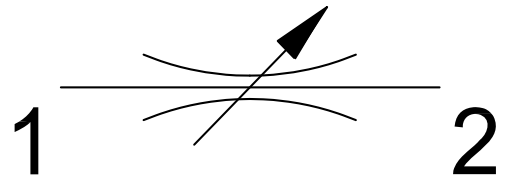
- It Increases Annular volume from fully close to fully open by anti-clockwise rotation.
- Minimal Leakage under Pressure.
- Available with **Hand-Knob**.
- Can be fitted in **line mounting bodies**.
- All external parts are **zinc plated ,chromated (CrVI-Free)**.
- Designed in accordance to **Industry common Cavities**.

1. Description -

SFNV series cartridge valves are **Screw-in Cartridge, Needle type Flow Control Valves**. These Cartridge increase it's annular volume from fully close to fully open by rotating adjustable screw in anti-clockwise rotation. Flow setting is difficult when subjected directly against pressure.

All external parts of this cartridge are Zinc-plated and chromated (CrVI-free). All Valve parts are made up of high strength steel.

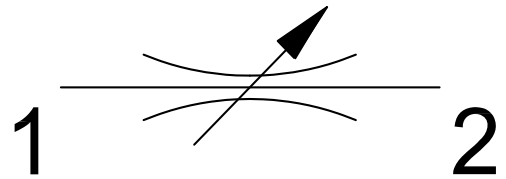
Flow Control Valve
Needle Type, Bi-Directional



2. Technical Data :

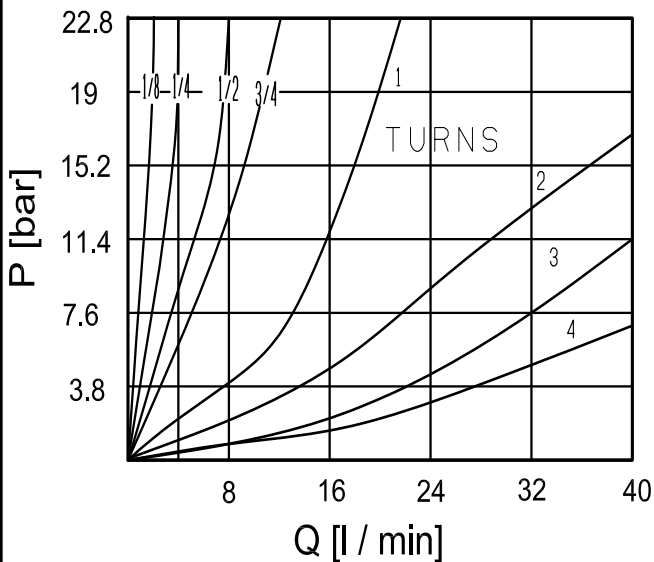
S.no.	General Specification	Values
1.	DESIGNATION	FLOW CONTROL VALVE, NEEDLE TYPE
2.	MOUNTING METHOD	S08-2 CAVITY
3.	MAXIMUM OPERATING PRESSURE	350 BAR
4.	MAXIMUM FLOW	40 LPM
5.	INTERNAL LEAKAGE	ZERO DROPS AT 350 BAR
6.	OPERATING TEMPERATURE	-30° TO +110° C
7.	HYDRAULIC FLUID	MINERAL OILS WITH LUBRICATING PROPERTIES AT 15.....250 MM ² /SEC
8.	MINIMUM FLUID CLEANINESS	CLASS 20/18/15
9.	WEIGHT	0.10 KG
10.	INSTALLATION TORQUE	45-55 N/M

Flow Control Valve Needle Type, Bi-Directional

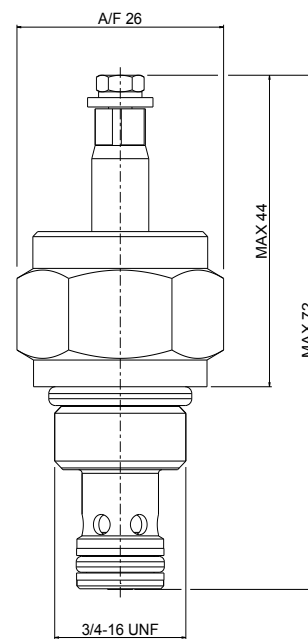


3. P-Q Characteristics :

Note: The Performance Chart shows Flow handling capacity at specific pressure setting P/Q Curve is recorded at Temp_{oil} = 40° C at 46 cst.



4. Dimensioning :



5. Ordering Code :

SFNV - 08 - X - X

VALVE BASIC CODE

CAVITY TYPE = 3/4" -16 UNF
METRIC CAVITY AVAILABLE ON

ADJUSTMENT :

K = KNOB
W = WITHOUT KNOB

HOUSING & PORTS

C : Cartridge only

XB1 : 1/4" BSP

XB6 : SAE #6

A : Aluminium Housing

S : Steel Housing