

FRT0.S08 Valve Series

SAE08 Cartridge - 350 bar

Direct acting - Adjustable

Description

A cartridge style, screw in, non pressure compensated, adjustable flow restrictor valve.

Once the flow is adjusted to desired value, both the 1 to 2 and 2 to 1 flow paths are permitted.

Technical Features

All external surfaces are zinc plated and corrosion-proof.

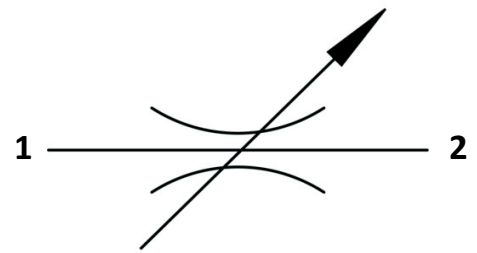
All valve parts are made of high strength steel.

Compact size.

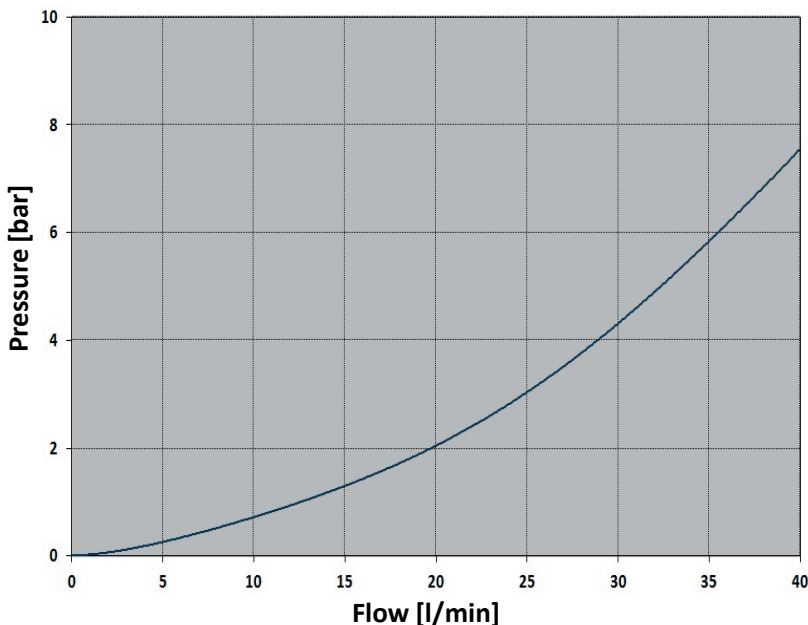
Industry common cavity.



Symbols



Performance Details



Technical Data

Maximum operating pressure: 350 bar

Maximum flow: 40 l/min

Temperature: -30°C to 110°C

Fluids: Mineral-based or synthetics with lubricating properties at viscosities of 7.4 to 420 cSt

Orientation: no restrictions

Installation torque: 40-45 Nm

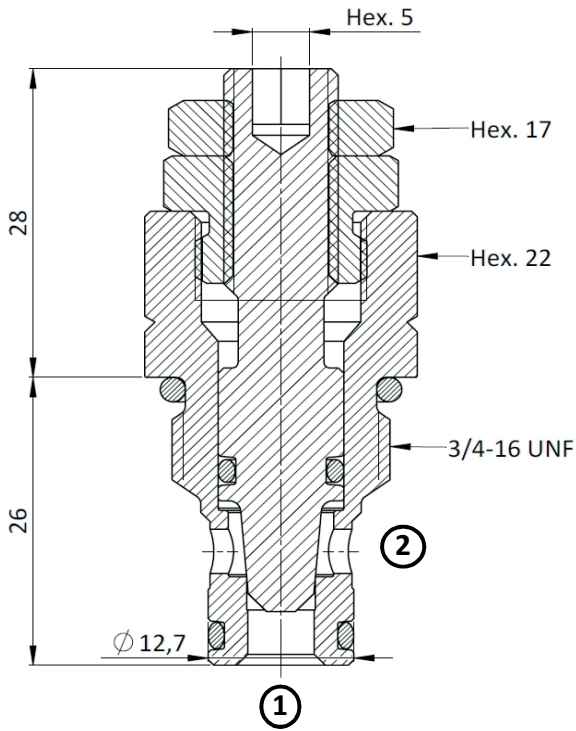
Seal kit code: SK.003

Weight: 0.100 kg

NOTE: the P/Q performance illustrated in the chart refer to the fully open restrictor mode and are the same in both directions.

P/Q curve is recorded at $T_{oil} = 40^\circ\text{C}$ and 46 cSt

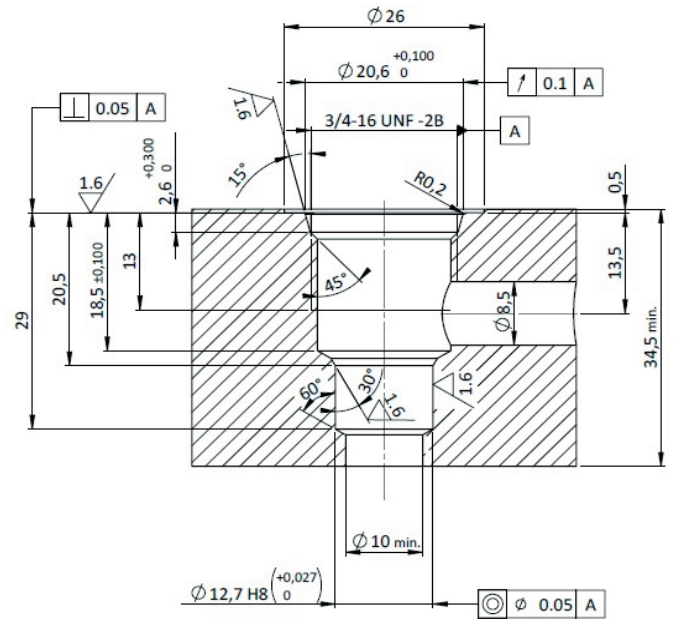
Cross Section



Once the flow is adjusted, torque the Hex17 nut with 17 Nm

Cavity Details

SAE08



See Page 267

Ordering Code

F **R** **T** **0** . **S** **0** **8** . **0** **0** . **0** **0** **0**

↓
Valve Basic Code

←
Cavity
S08 = UNF - SAE08
Metric cavity available
upon request

→ **Options** 1 = Fine Regulation

→ **Marking** 0 = Standard factory marking
Customized markings can be done upon request