

CVZ0.S10 Valve Series

SAE10 Cartridge - 420 bar

Direct acting - Poppet Type

Description

A screw-in, cartridge style, direct acting, poppet type check valve. The CVZ0.S10 allows flow passage from port 2 to 1: the cartridge has a fully guided check which is spring-biased closed until sufficient pressure is applied at port 2 to open to 1. The flow is blocked in the opposite direction (1 to 2).

Technical Features

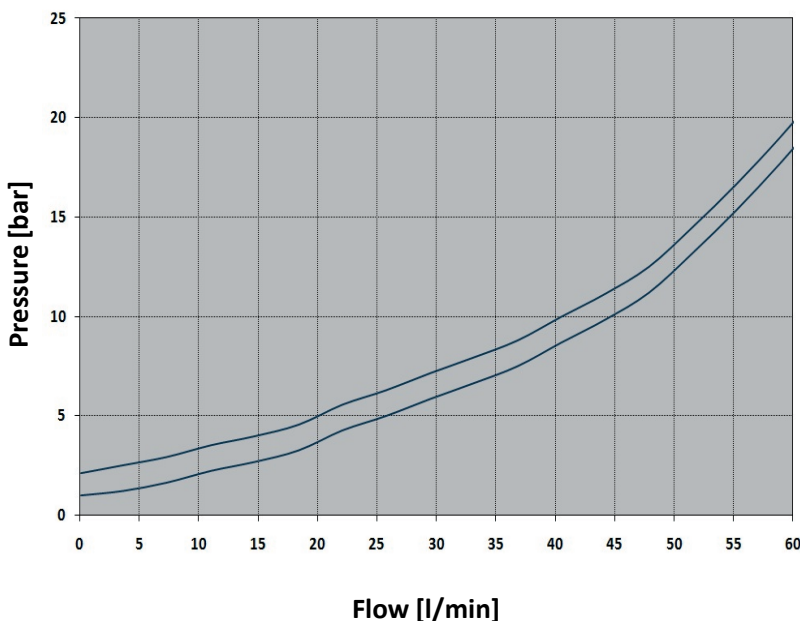
All external surfaces are zinc plated and corrosion-proof.
All valve parts are made of high strength steel. Poppet is hardened and ground to guarantee minimal wear and to extend service life.
Compact size.
Optional bias springs for back-pressure application flexibility.
Industry common cavity.



Symbols



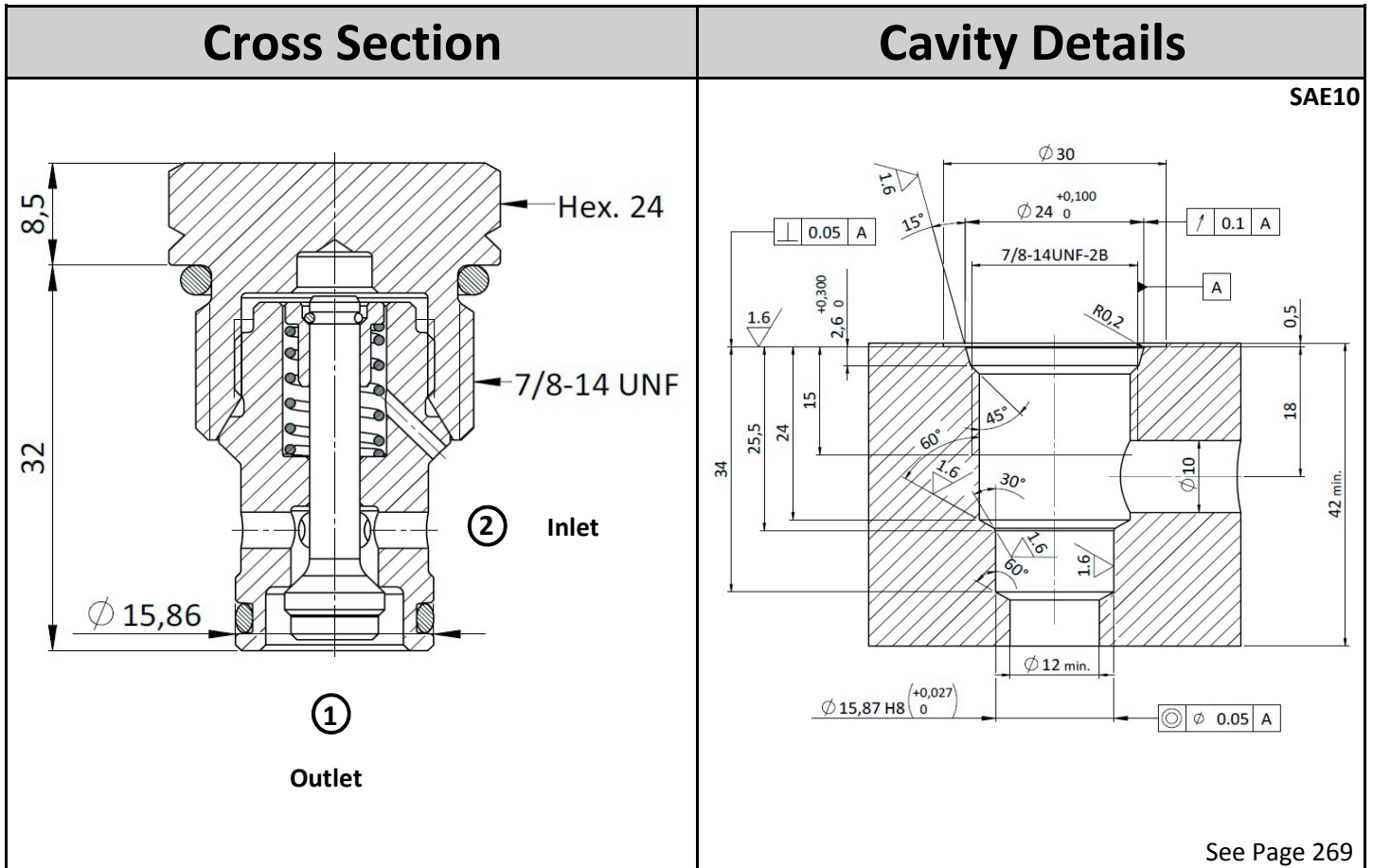
Performance Details



Technical Data

Maximum operating pressure: 420 bar
Maximum flow: 60 l/min
Internal leakage: 0.10 cc/min max @ 420 bar
Temperature: -30°C to 110°C
Fluids: Mineral-based or synthetics with lubricating properties at viscosities of 7.4 to 420 cSt
Orientation: no restrictions
Installation torque: 55-65 Nm
Seal kit code: SK.032
Weight: 0.090 kg

NOTE: The performance chart illustrates flow handling capacity for each spring bias option. P/Q curves are recorded at $T_{oil} = 40^{\circ}C$ and 46 cSt



Ordering Code

C	V	Z	0	.	S	1	0	.	0	*	.	0	0	0
↓					↓				↓			↓		
Valve Basic Code					Cavity				Bias Spring			Marking		
					S10 = UNF - SAE10 Metric cavity available upon request				000 = standard configuration			0 = Standard factory marking Customized markings can be done upon request		

Bias Spring Options			
Spring Model Code	Cracking pressure [bar]	Customized bias springs can be offered upon request.	
Y	1.0		
N	2.0		

Specifications may change without notice.