

## CVH0.S08 Valve Series

**SAE08 Cartridge - 420 bar**

**Direct acting - Ball Type**

### Description

A screw-in, cartridge style, direct acting, ball type check valve.

Main use is as a blocking or load-holding device.

The CVH0.S08 allows flow passage from port 1 to 2: the cartridge has a spring guided ball which is spring-biased closed until sufficient pressure is applied at port 1 to open to 2

The flow is blocked in the opposite direction (2 to 1).

### Technical Features

All external surfaces are zinc plated and corrosion-proof.

All valve parts are made of high strength steel.

Compact size.

Industry common cavity.

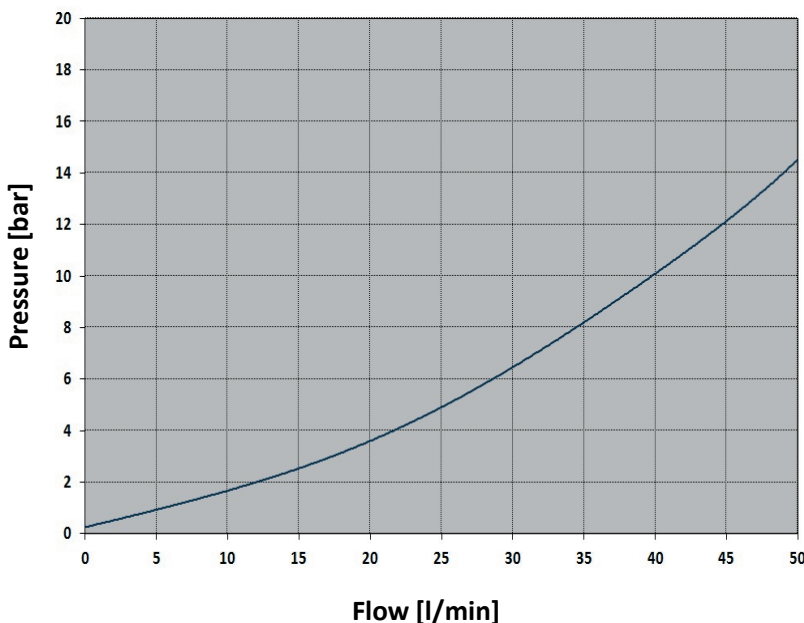


vis hydraulics

## Symbols



## Performance Details



### Technical Data

Maximum operating pressure: 420 bar

Maximum flow: 50 l/min

Internal leakage: 0.10 cc/min max @ 420 bar

Temperature: -30°C to 110°C

Fluids: Mineral-based or synthetics with lubricating properties at viscosities of 7.4 to 420 cSt

Orientation: no restrictions

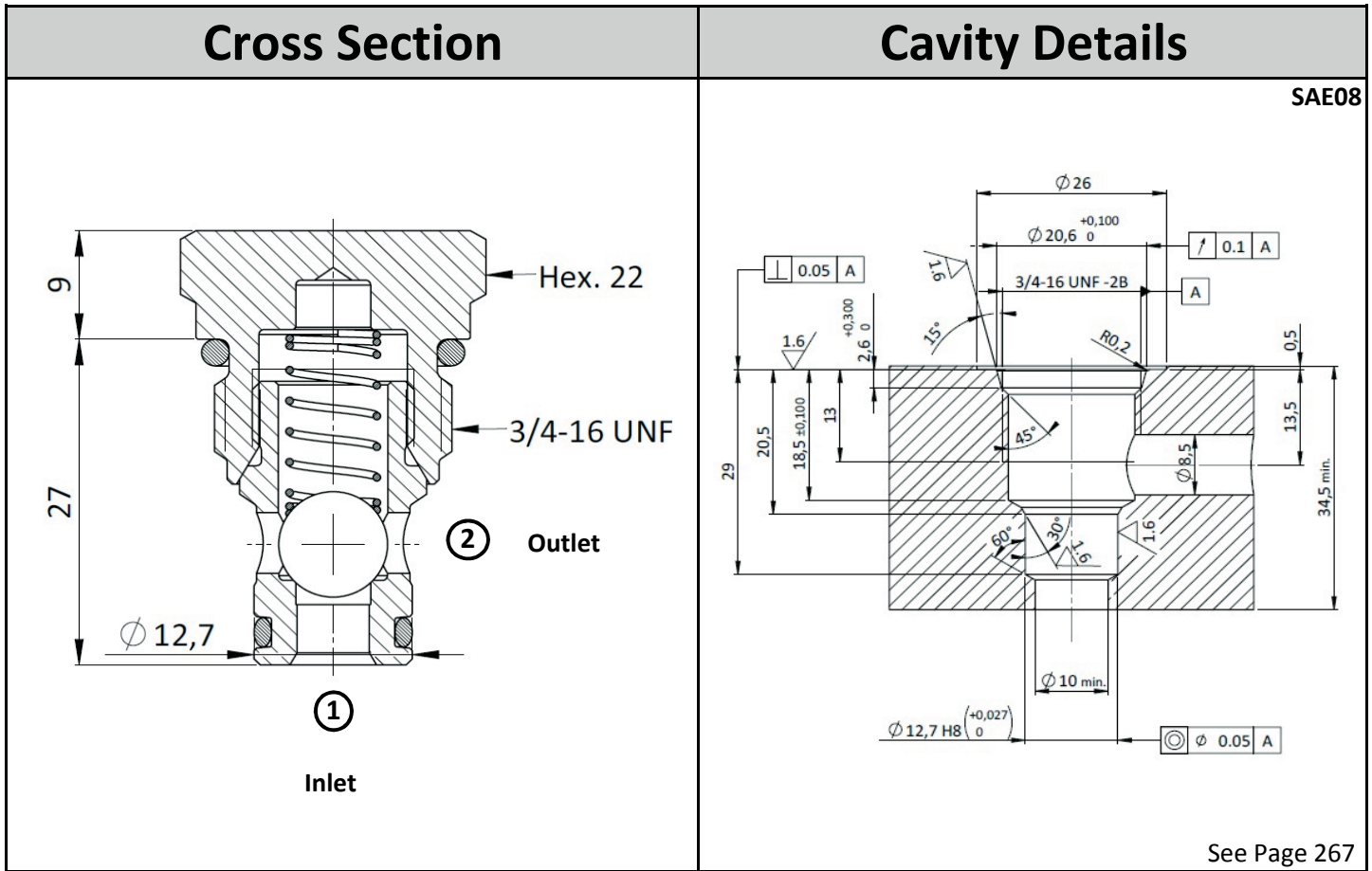
Installation torque: 40-45 Nm

Seal kit code: SK.030

Weight: 0.060 kg

NOTE: The performance chart illustrates flow handling capacity.

P/Q curve is recorded at  $T_{oil} = 40^\circ\text{C}$  and 46 cSt



## Ordering Code

<b>C</b>	<b>V</b>	<b>H</b>	<b>0</b>	.	<b>S</b>	<b>0</b>	<b>8</b>	.	<b>0</b>	<b>Y</b>	.	<b>0</b>	<b>0</b>	<b>0</b>
↓					↓				↓		↓			
<b>Valve Basic Code</b>					<b>Cavity</b>				<b>Bias Spring</b>		<b>Marking</b>			
					S08 = UNF - SAE08 Metric cavity available upon request				Y = standard (cracking pressure <0.5 bar)		000 = standard configuration 0 = Standard factory marking Customized markings can be done upon request			

Customized bias springs can be offered upon request.

Specifications may change without notice.