

## CVB0.G34 Valve Series

**GAS Cartridge - 350 bar**

**Direct acting - Ball Type**

### Description

A screw-in, direct acting, ball type in-line check valve.

Main use is as a blocking or load-holding device.

The CVB0.G34 allows flow passage from port 1 to 2: a steel ball acts as a check and is spring-biased closed until sufficient pressure is applied at port 1 to open to 2.

The flow is blocked in the opposite direction (2 to 1).

### Technical Features

External surfaces are oxide burnished and corrosion-protected.

All valve parts are made of high strength steel.

Reversed installation is possible, yet not recommended.

Compact size.

GAS cavity.

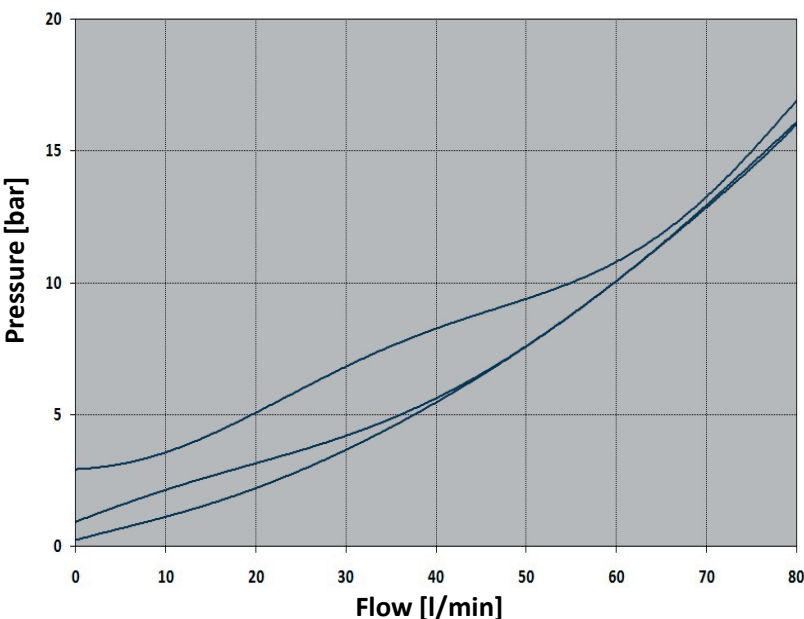


vis hydraulics

## Symbols



## Performance Details



### Technical Data

Maximum operating pressure: 350 bar

Maximum flow: 80 l/min

Leakage: 0.10 cc/min max @ 350 bar

Temperature: -30°C to 110°C

Fluids: Mineral-based or synthetics with lubricating properties at viscosities of 7.4 to 420 cSt

Orientation: no restrictions

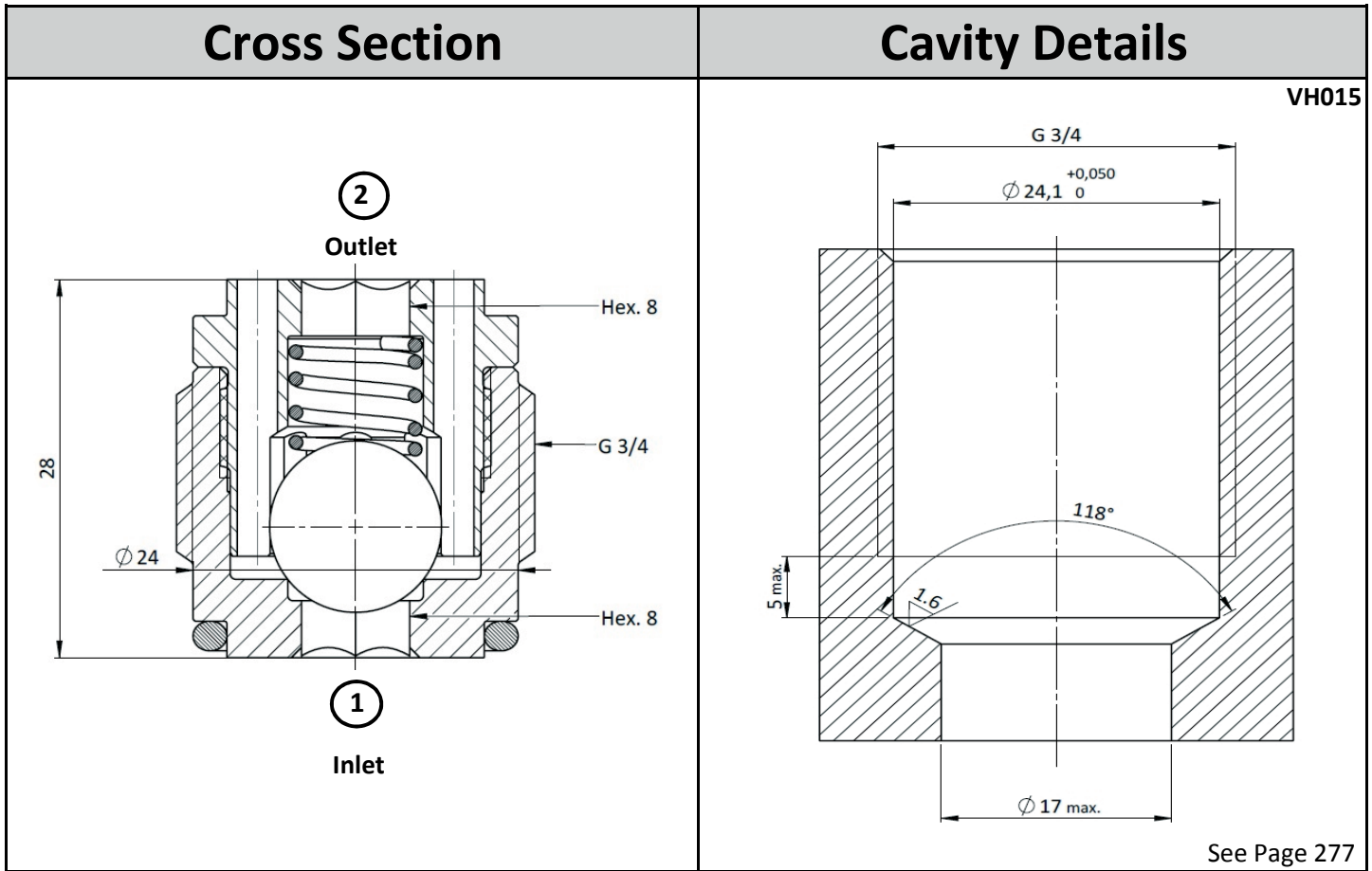
Installation torque: 20 Nm

Seal kit code: SK.022

Weight: 0.082 kg

NOTE: The performance chart illustrates flow handling capacity for each spring bias option.

P/Q curves are recorded at  $T_{oil} = 40^{\circ}C$  and 46 cSt



## Ordering Code

C	V	B	0	.	G	3	4	.	0	*	.	0	0	0
↓					↓				↓			↓		
<b>Valve Basic Code</b>					<b>Cavity</b>				<b>Bias Spring</b>			<b>000 = standard configuration</b>		

**Cavity**  
 G34 = GAS G3/4  
 UNF or Metric cavities are available upon request

**Bias Spring** (see table below for available options)

Bias Spring Options		Options
Spring Model Code	Cracking pressure [bar]	Customized bias springs can be offered upon request. <div style="text-align: right; margin-top: 20px;"> <p>Installation Tool: IK.010</p> </div>
Y	0,3	
N	1	
B	3	

Specifications may change without notice.