

CVB0.G14 Valve Series

GAS Cartridge - 350 bar

Direct acting - Ball Type

Description

A screw-in, direct acting, ball type in-line check valve.

Main use is as a blocking or load-holding device.

The CVB0.G14 allows flow passage from port 1 to 2: a steel ball acts as a check and is spring-biased closed until sufficient pressure is applied at port 1 to open to 2.

The flow is blocked in the opposite direction (2 to 1).

Technical Features

External surfaces are oxide burnished and corrosion-protected.

All valve parts are made of high strength steel.

Reversed installation is possible, yet not recommended.

Compact size.

GAS cavity.

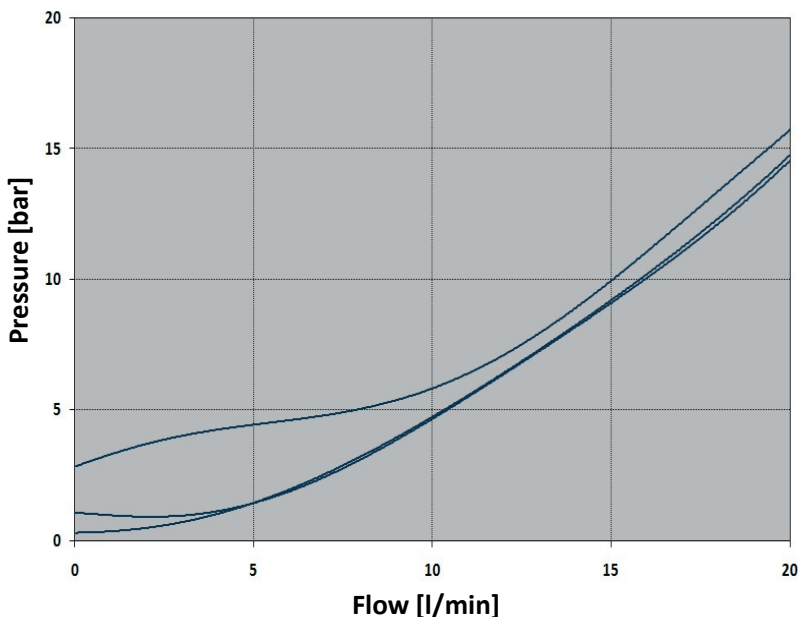


vis hydraulics

Symbols



Performance Details



Technical Data

Maximum operating pressure: 350 bar

Maximum flow: 20 l/min

Leakage: 0.10 cc/min max @ 350 bar

Temperature: -30°C to 110°C

Fluids: Mineral-based or synthetics with lubricating properties at viscosities of 7.4 to 420 cSt

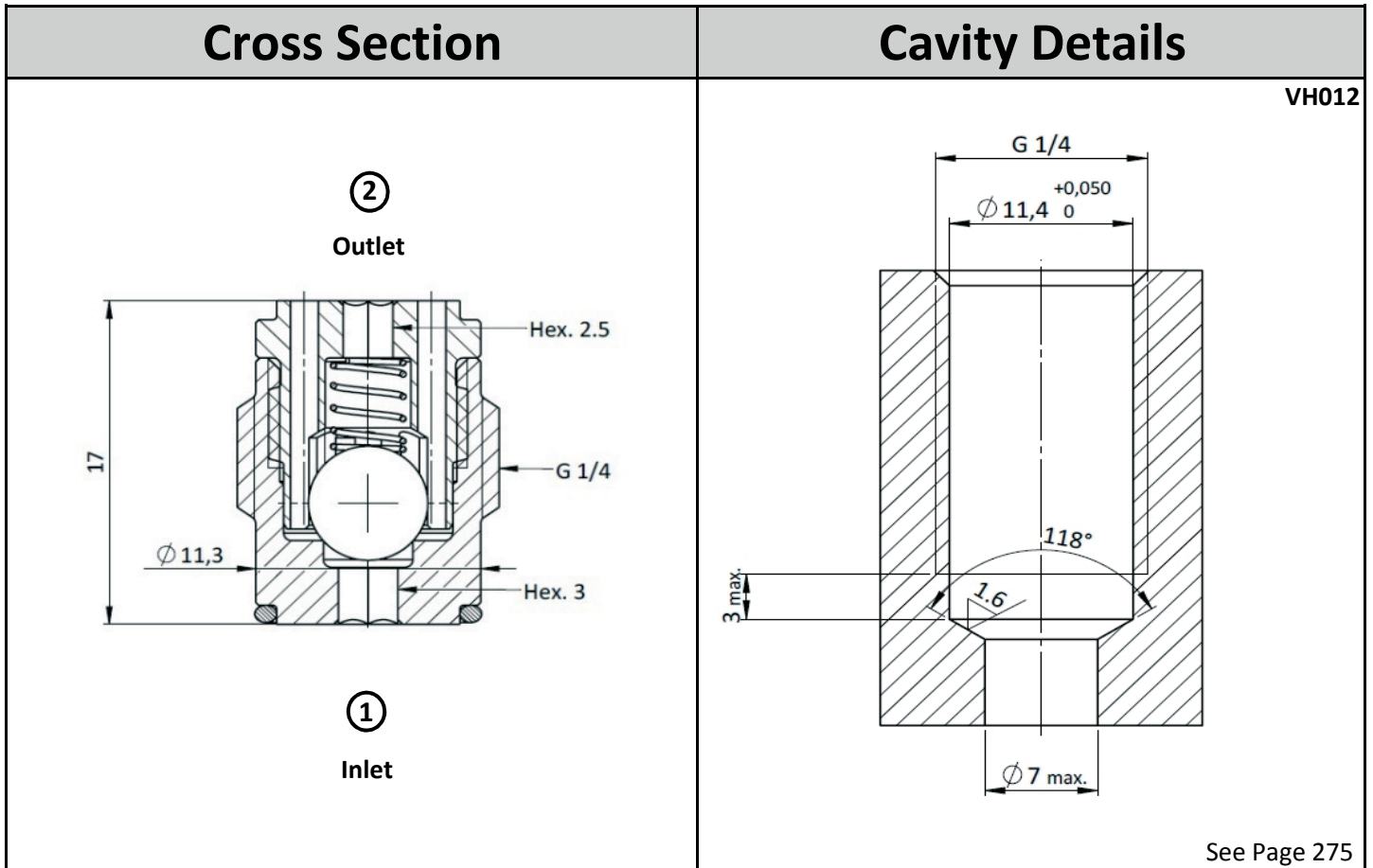
Orientation: no restrictions

Installation torque: 4 Nm

Seal kit code: SK.016

Weight: 0.013 kg

NOTE: The performance chart illustrates flow handling capacity for each spring bias option. P/Q curves are recorded at $T_{oil} = 40^\circ\text{C}$ and 46 cSt



Ordering Code

C
V
B
0
.
G
1
4
.
0
*
.
0
0
0

↓
Valve Basic Code

← **Cavity**
G14 = GAS G1/4
 UNF or Metric cavities are available upon request

→ **000** = standard configuration
 → **Bias Spring** (see table below for available options)

Bias Spring Options		Options
Spring Model Code	Cracking pressure [bar]	Customized bias springs can be offered upon request. <div style="text-align: right; margin-top: 20px;"> <p>Installation Tool: IK.007</p> </div>
Y	0,3	
N	1	
B	3	

Specifications may change without notice.