

## CVB0.G12 Valve Series

**GAS Cartridge - 350 bar**

**Direct acting - Ball Type**

### Description

A screw-in, direct acting, ball type in-line check valve.

Main use is as a blocking or load-holding device.

The CVB0.G12 allows flow passage from port 1 to 2: a steel ball acts as a check and is spring-biased closed until sufficient pressure is applied at port 1 to open to 2.

The flow is blocked in the opposite direction (2 to 1).

### Technical Features

External surfaces are oxide burnished and corrosion-protected.

All valve parts are made of high strength steel.

Reversed installation is possible, yet not recommended.

Compact size.

GAS cavity.

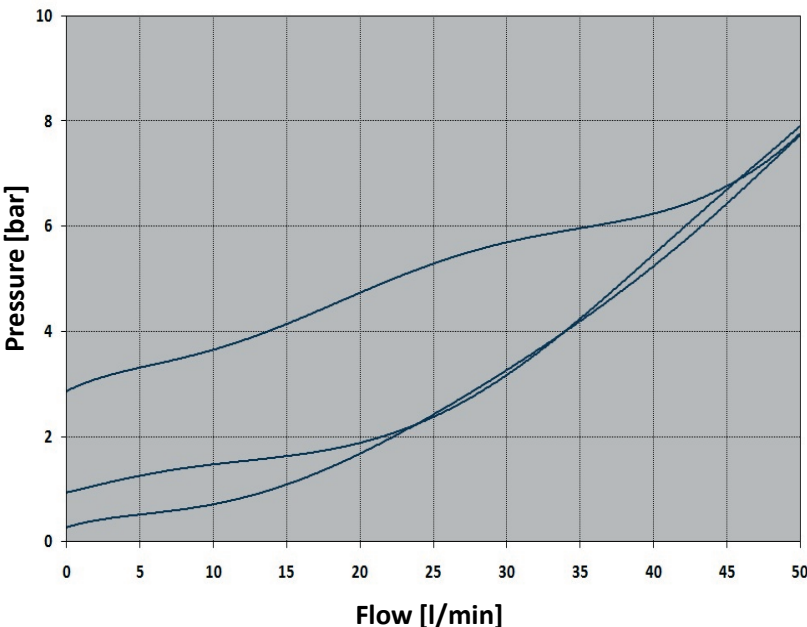


  
vis hydraulics

## Symbols



## Performance Details



### Technical Data

Maximum operating pressure: 350 bar

Maximum flow: 50 l/min

Leakage: 0.10 cc/min max @ 350 bar

Temperature: -30°C to 110°C

Fluids: Mineral-based or synthetics with lubricating properties at viscosities of 7.4 to 420 cSt

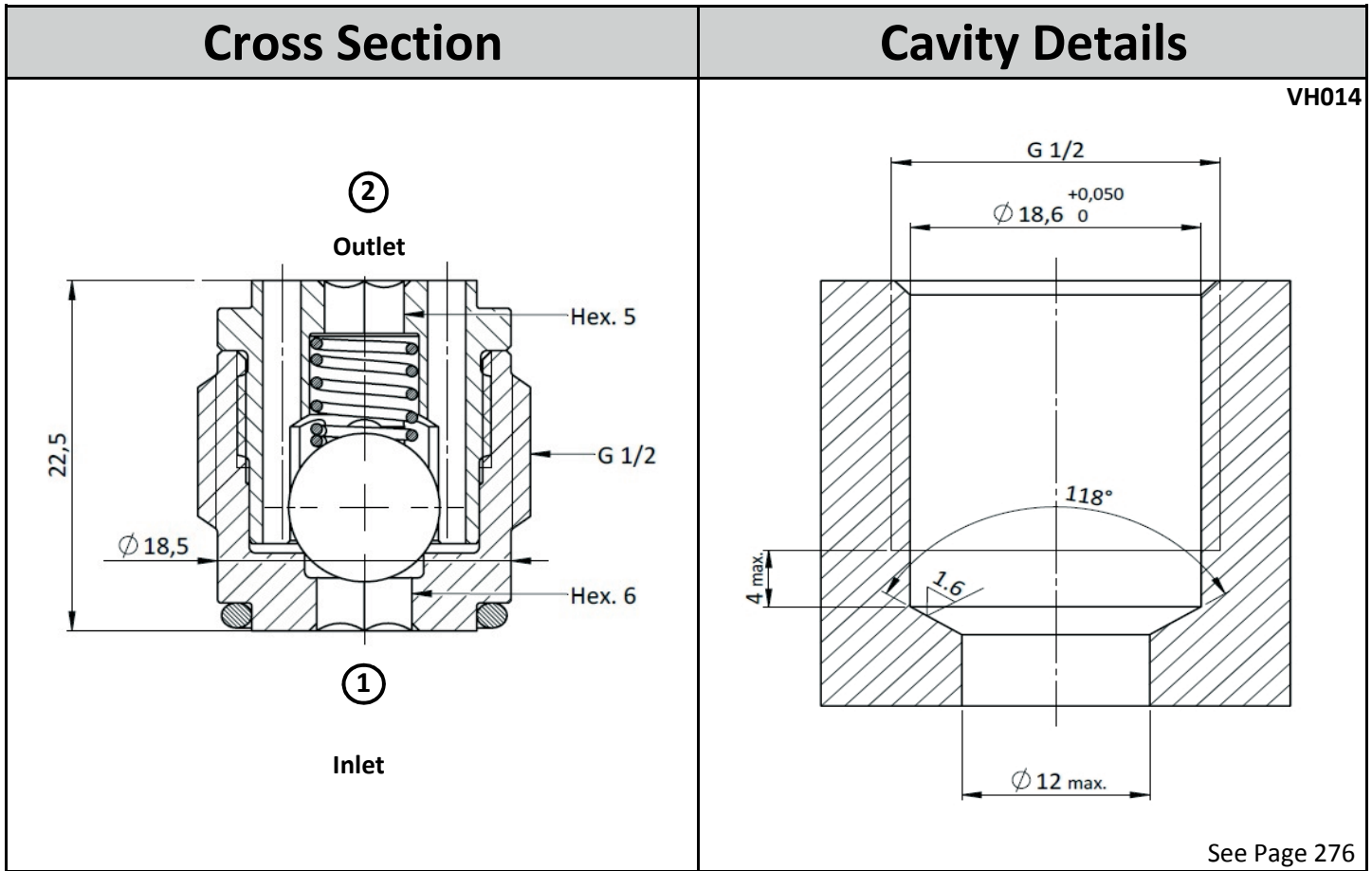
Orientation: no restrictions

Installation torque: 10 Nm

Seal kit code: SK.018

Weight: 0.041 kg

NOTE: The performance chart illustrates flow handling capacity for each spring bias option. P/Q curves are recorded at  $T_{oil} = 40^\circ\text{C}$  and 46 cSt



## Ordering Code

C	V	B	0	.	G	1	2	.	0	*	.	0	0	0
↓				↓				↓				↓		
<b>Valve Basic Code</b>				<b>Cavity</b>				<b>Bias Spring</b>				<b>000 = standard configuration</b>		
				G12 = GAS G1/2 UNF or Metric cavities are available upon request								(see table below for available options)		

Bias Spring Options		Options
Spring Model Code	Cracking pressure [bar]	<div style="text-align: center; font-weight: bold; font-size: small;">Customized bias springs can be offered upon request.</div> <div style="text-align: center; font-weight: bold; font-size: x-small;">Installation Tool: IK.009</div>
Y	0,3	
N	1	
B	3	

Specifications may change without notice.